

# CHICAGO NEXT 3 R TURBO

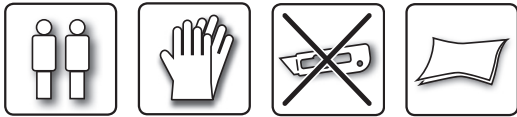
*Enders*<sup>®</sup>



[www.enders-germany.com](http://www.enders-germany.com)

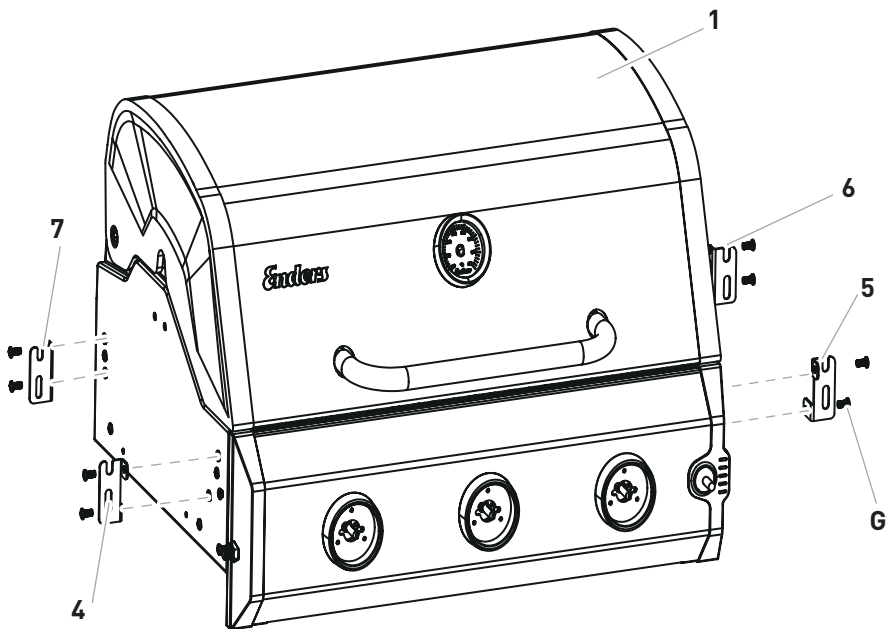
893433

# CHICAGO NEXT 3 R TURBO

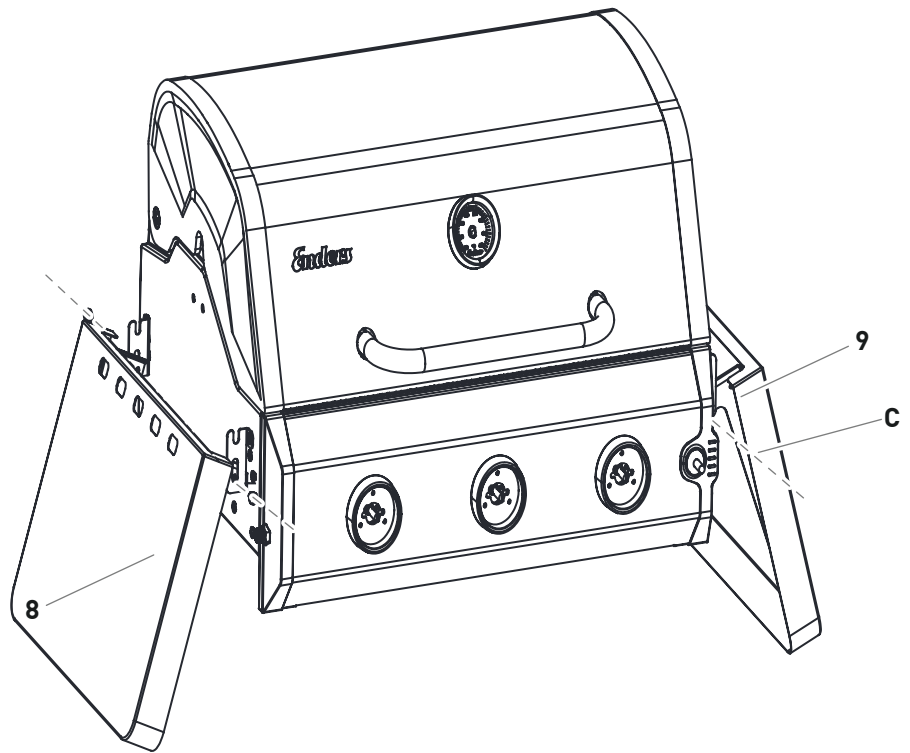
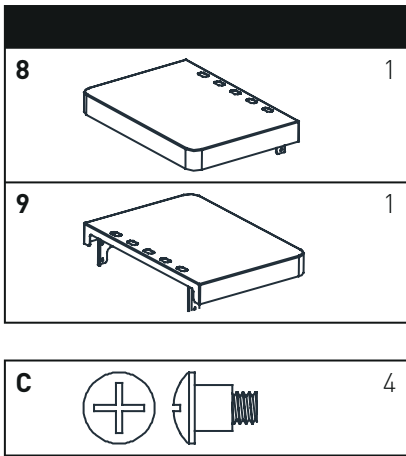


01

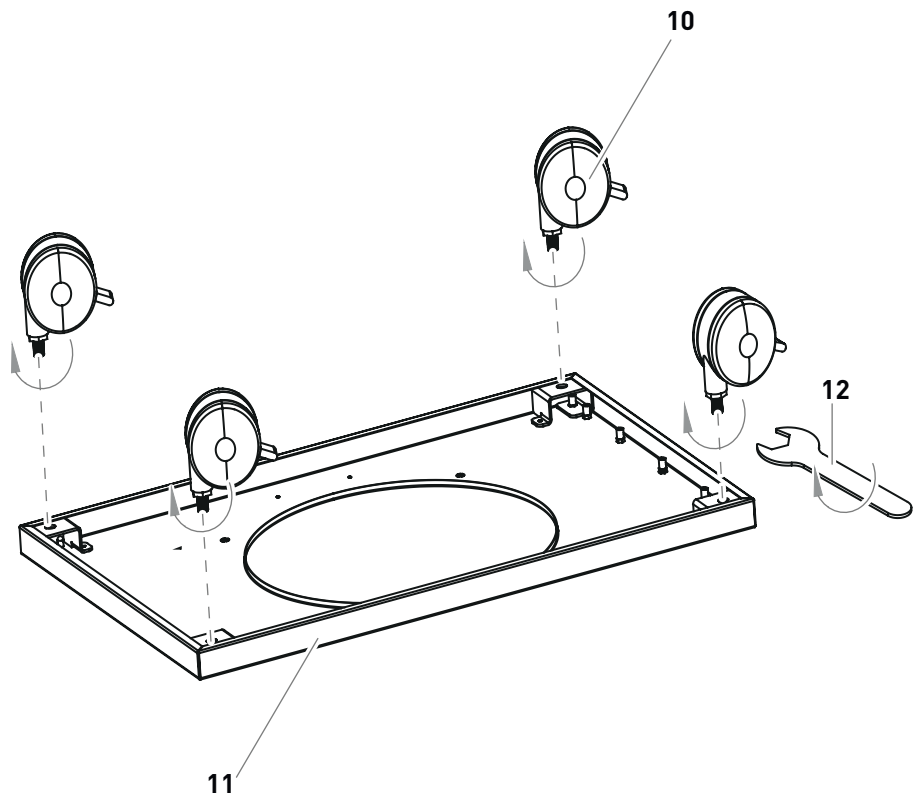
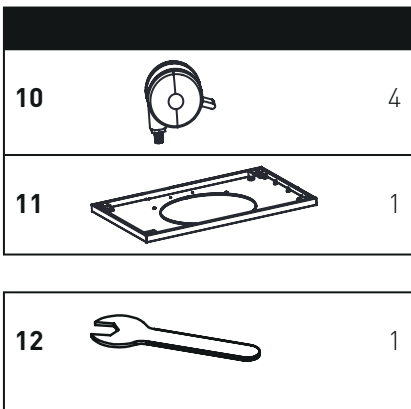
1		1
5		1
6		1
4		1
7		1
G	 M5 x 12	8

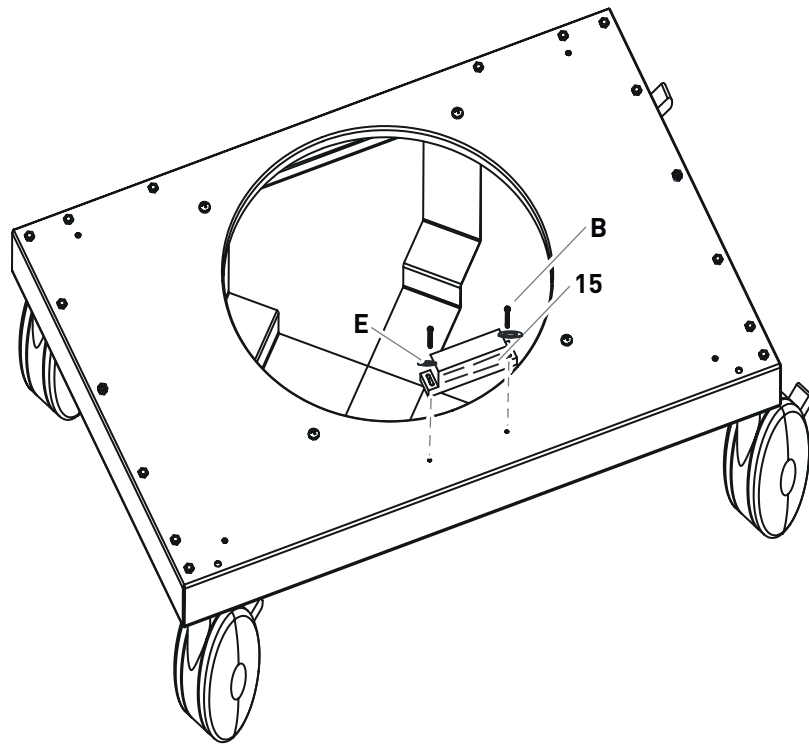
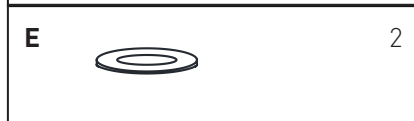
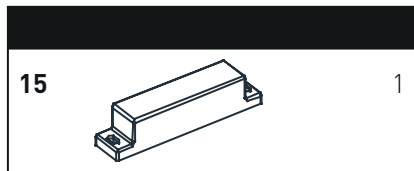
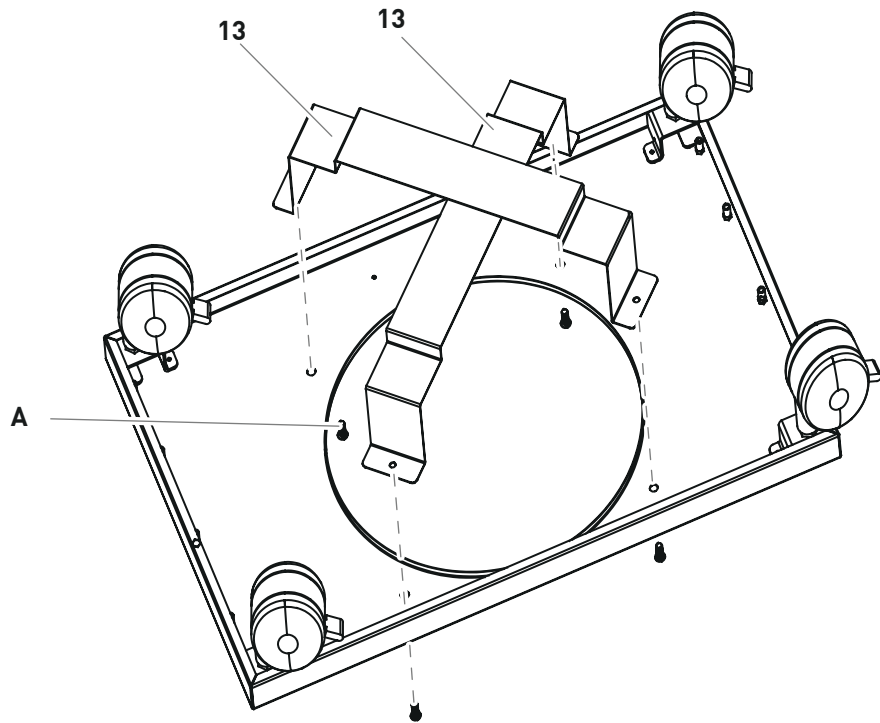
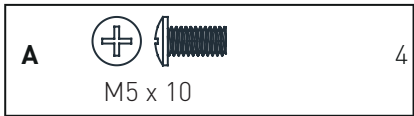
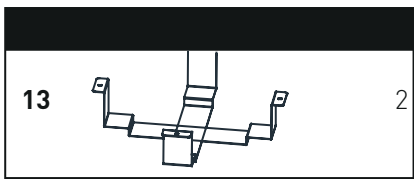





02

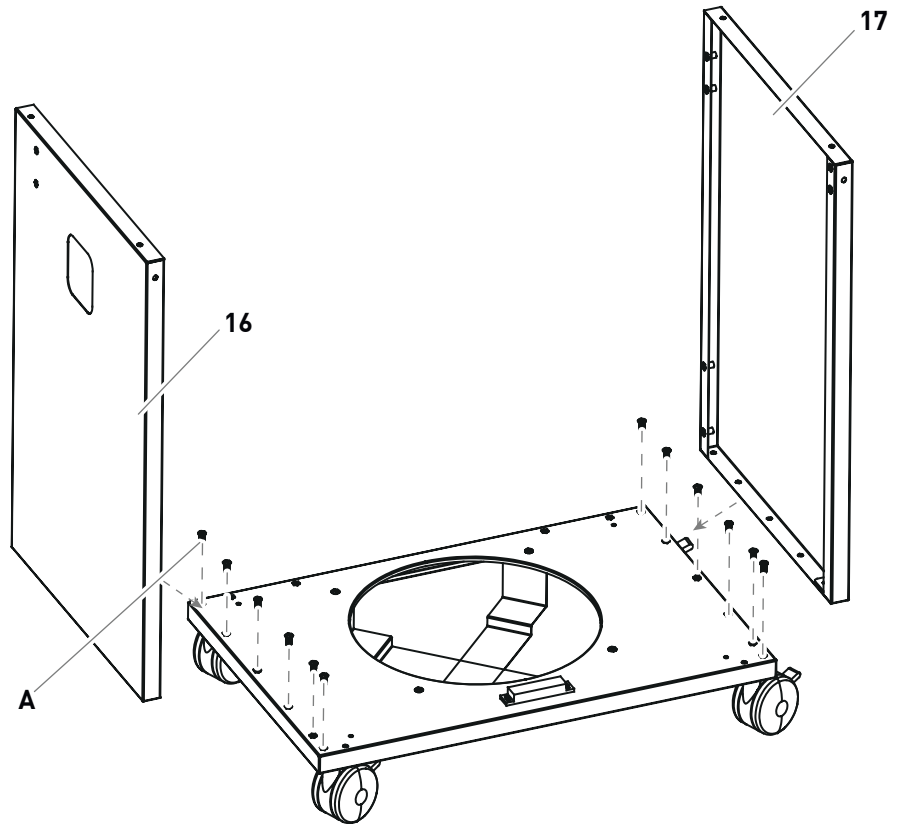




03

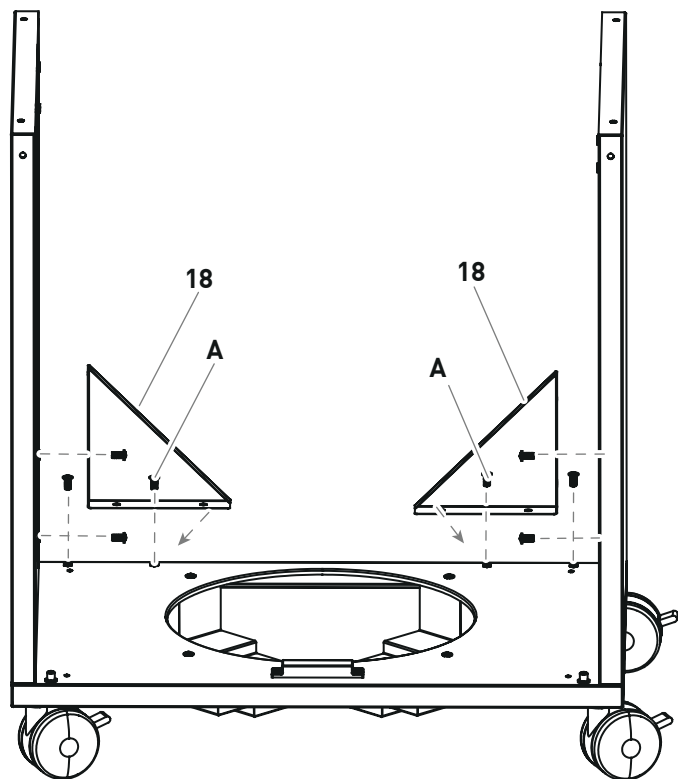







16		1
17		1
A	 M5 x 10	12




18		2
A	 M5 x 10	8

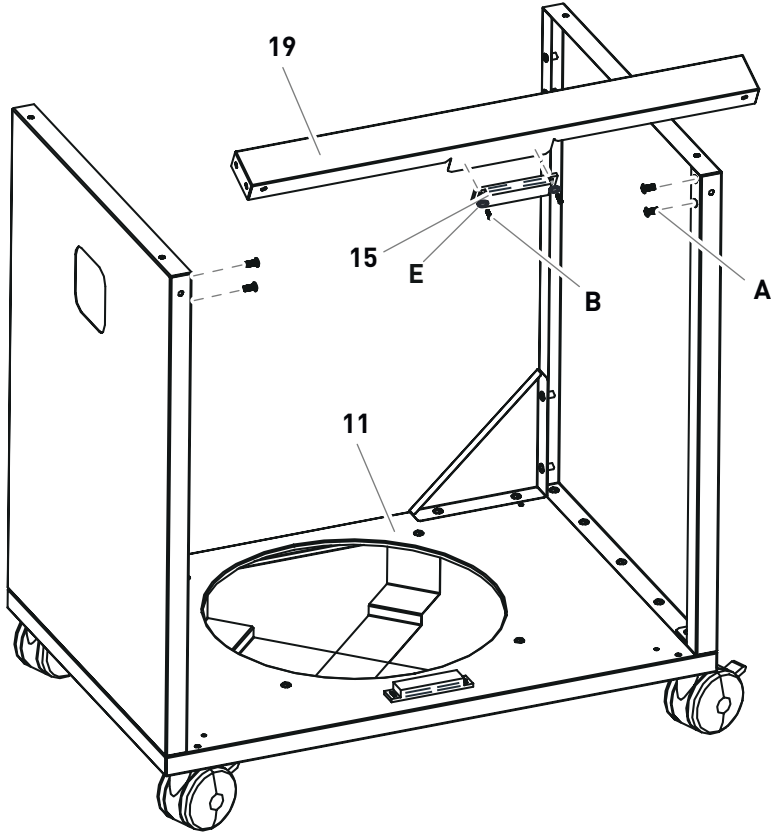


15		1
19		1


A	 M5 x 10	4
---	--	---

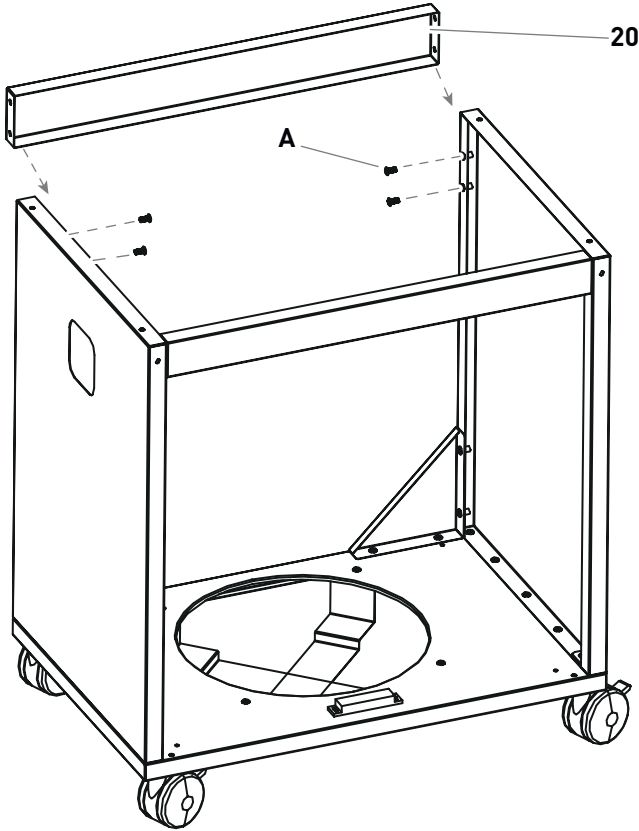
B	 M3 x 8	2
---	---	---

E		2
---	---	---





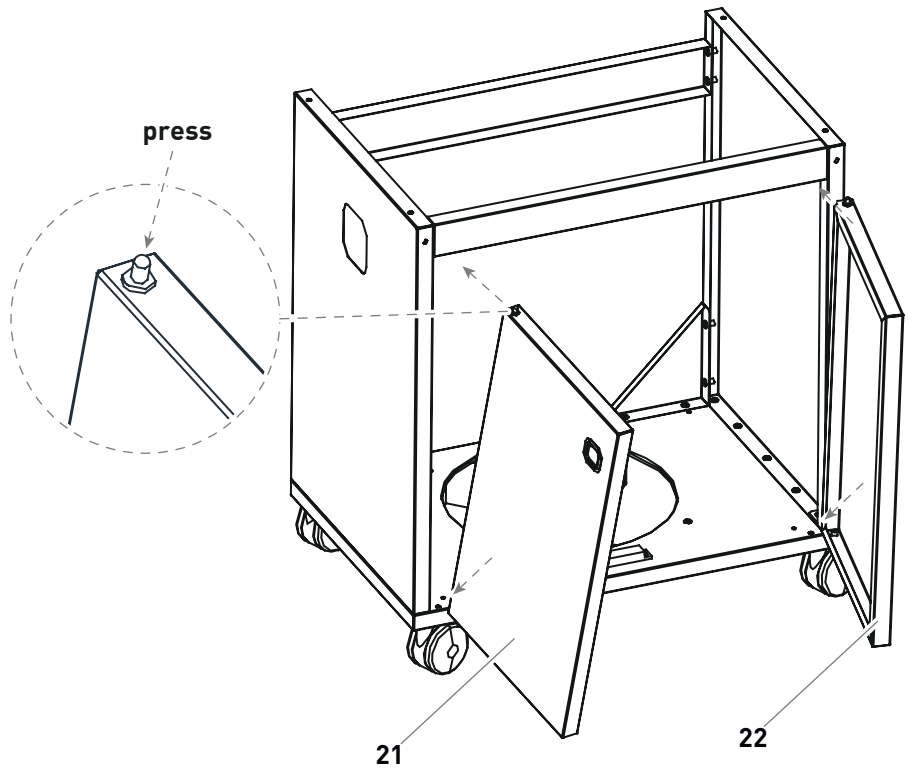
20		1
----	---	---

A	 M5 x 10	4
---	--	---




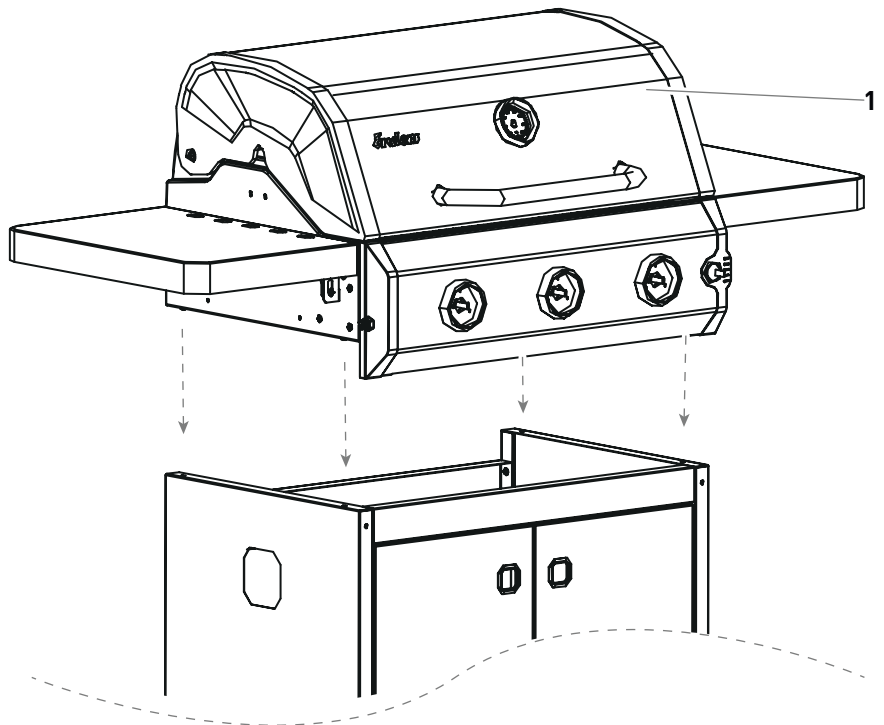
10


21		1
22		1

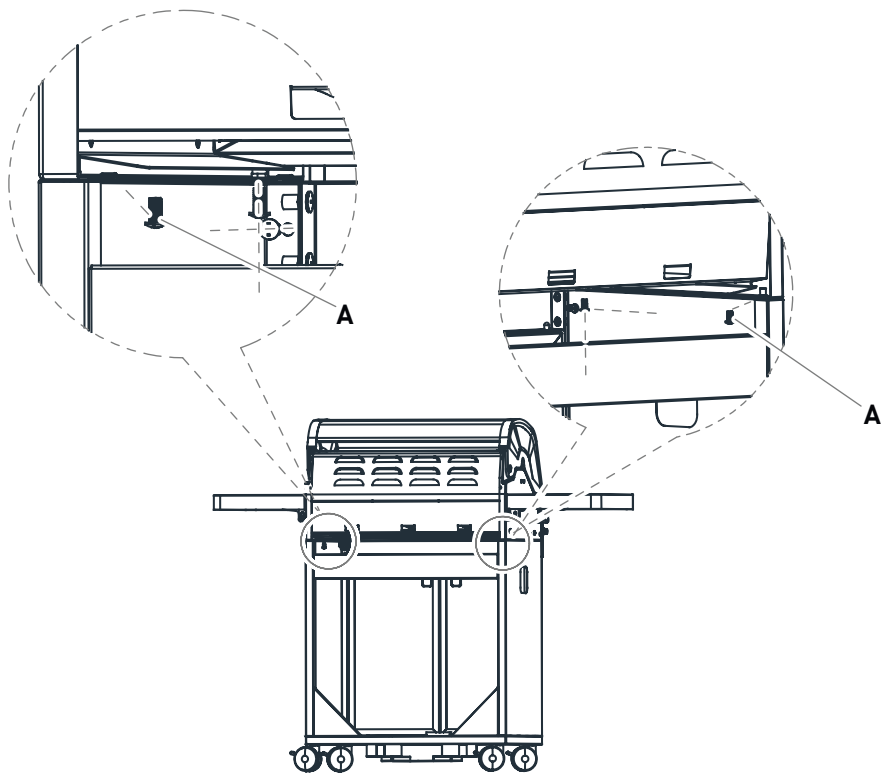


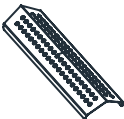
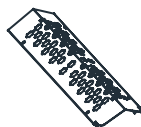
11

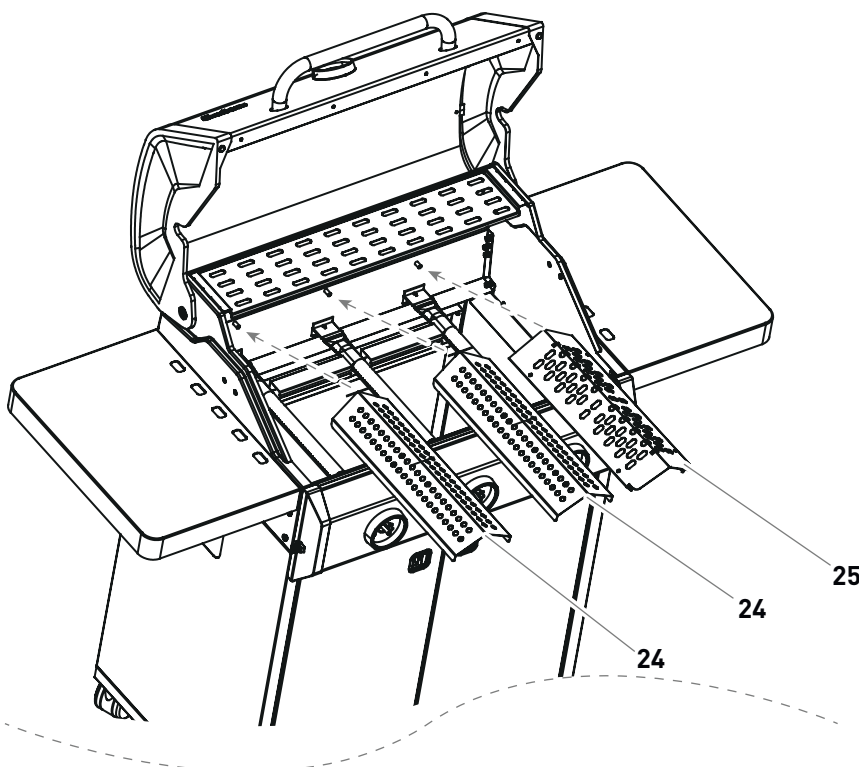
1		1
---	---	---



A		6
M5 x 10		

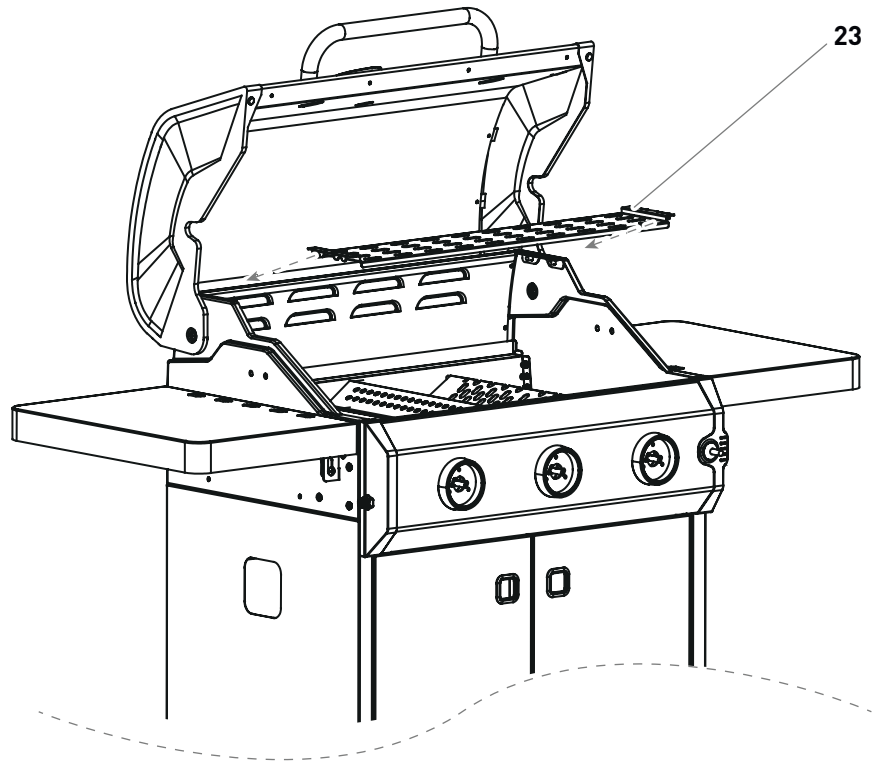


24		2
25		1

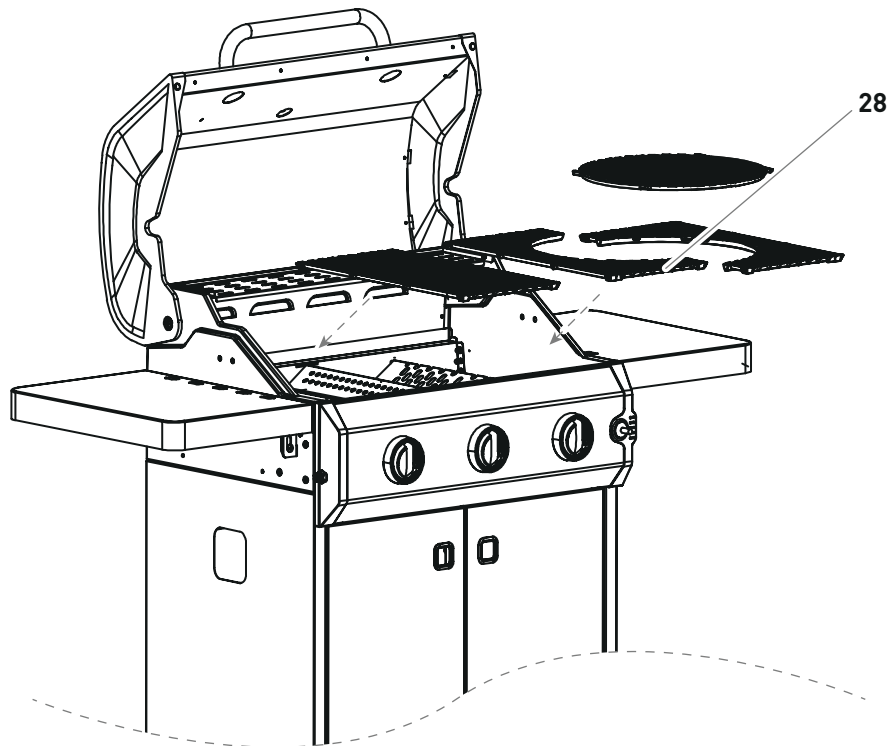
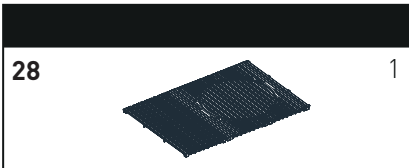






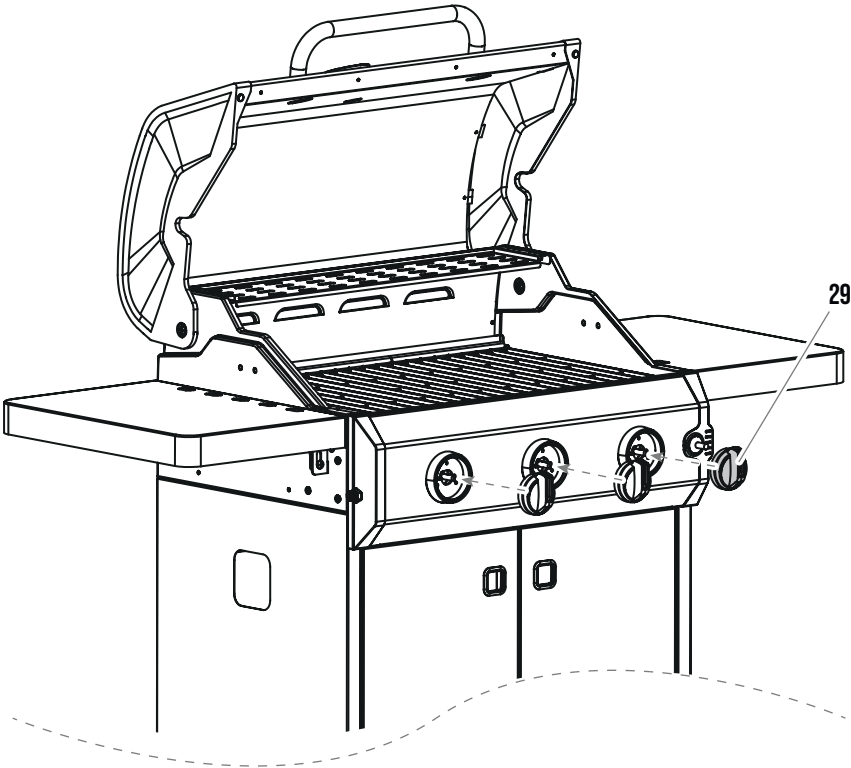
14


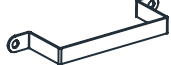



15



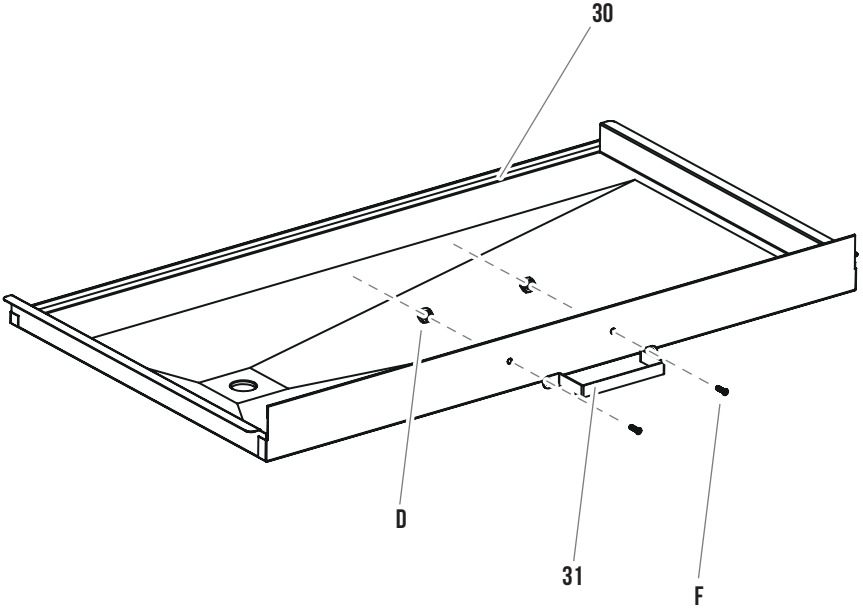
29		2
29	 rot/ pourrir/ marcire	1

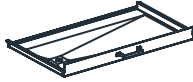


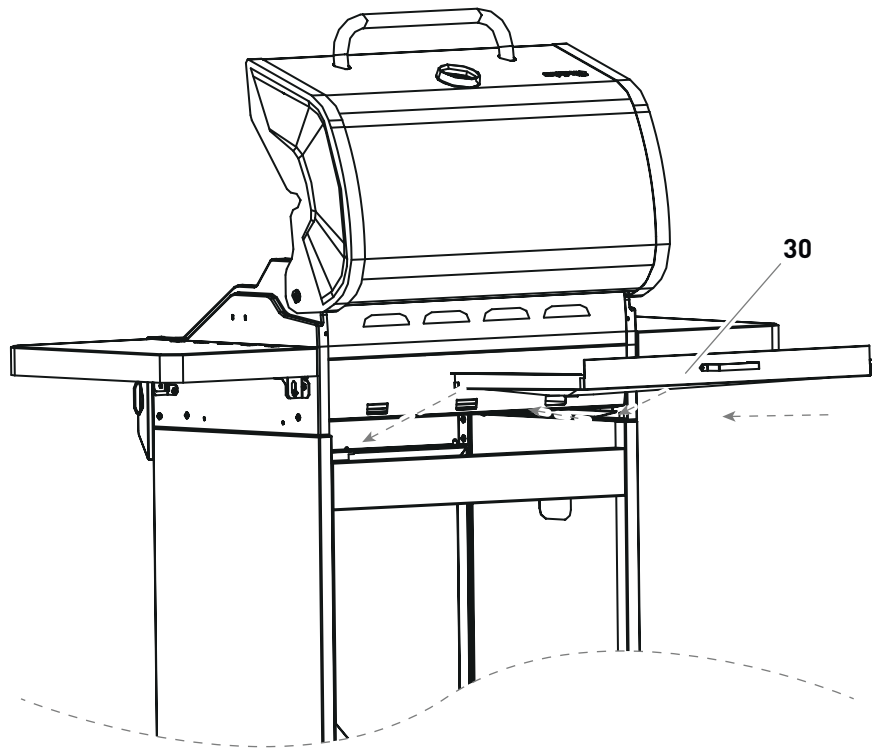
30		1
31		1

F	 M4 x 6	2
---	--	---

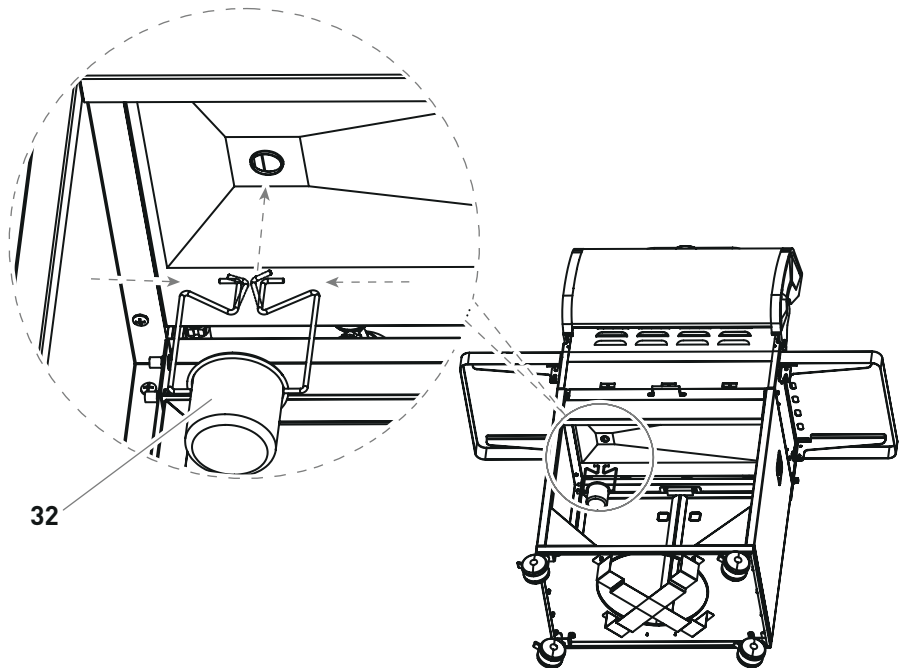
D	 M4	2
---	--	---


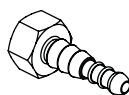


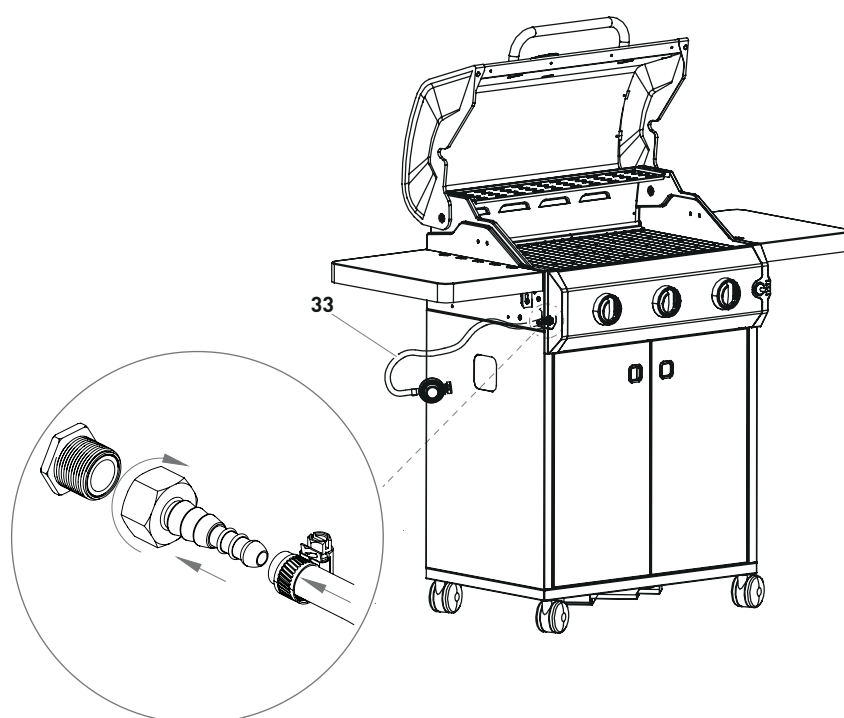
30		1
31		1



32		1
----	---	---



33		1
34		1

**Enders Colsman AG**

Brauck 1

D-58791 Werdohl, Deutschland, Allemagne, Germania

Tel +49 (0) 2392 97 82 30

**We reserve the right to make colour and technical changes to improve the product.**