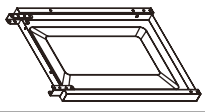
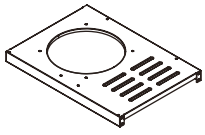
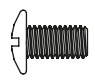
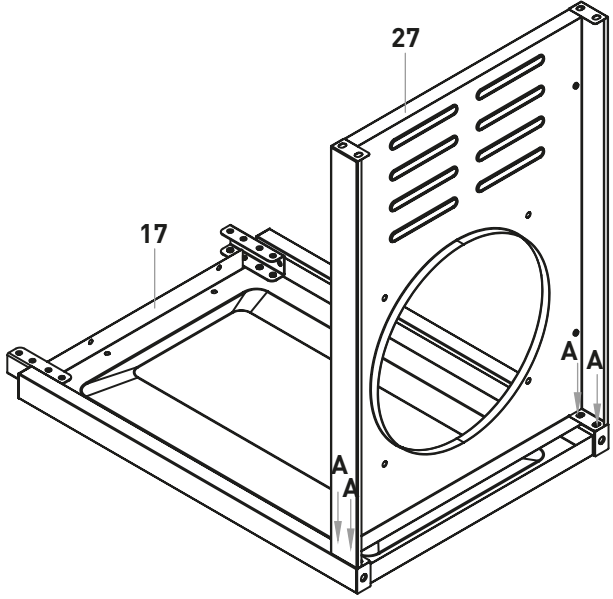


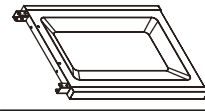
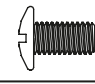
MONROE PRO 4 SIK TURBO

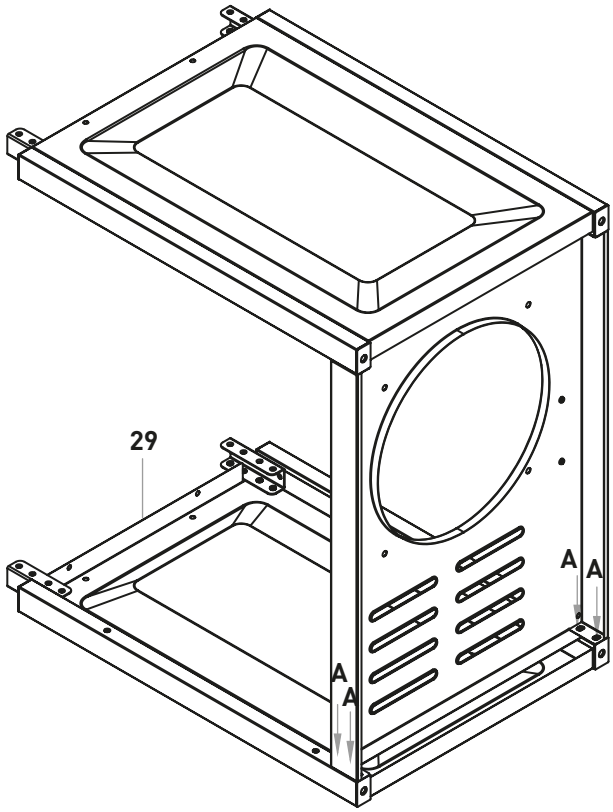


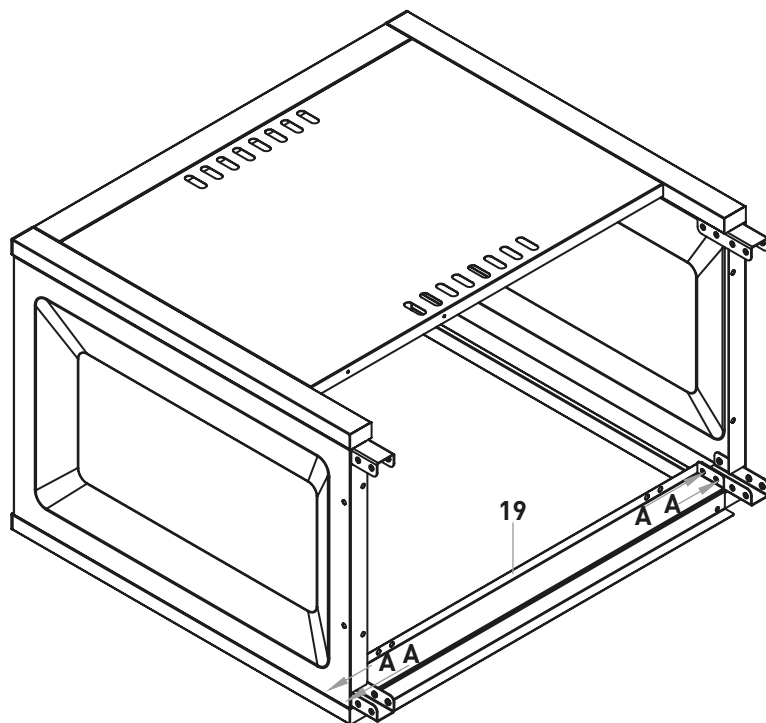
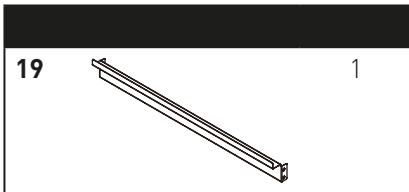
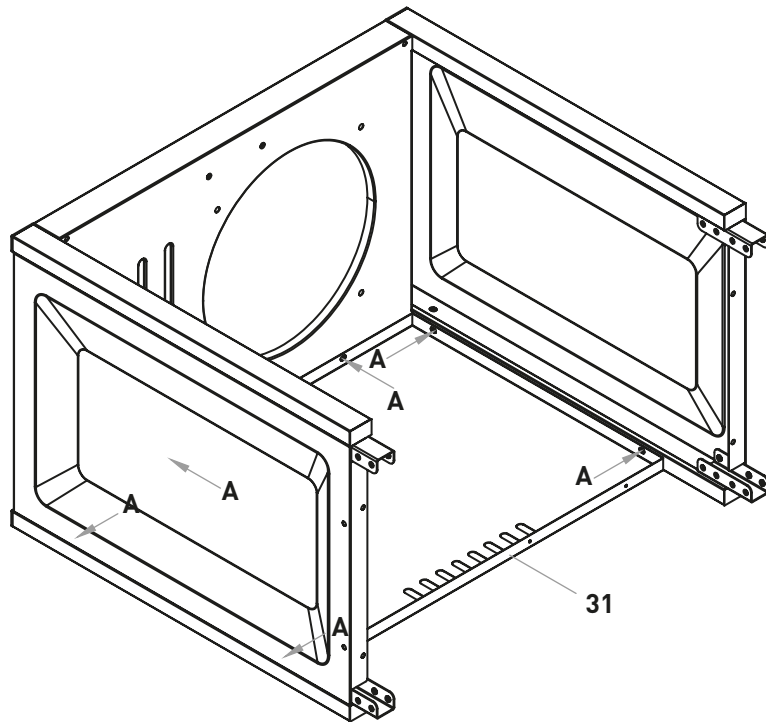
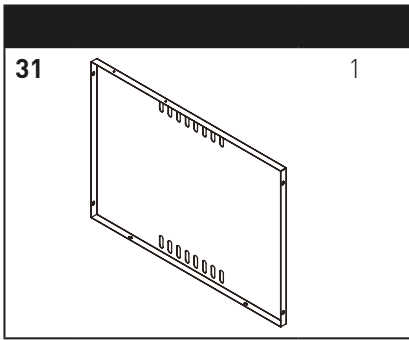
837833

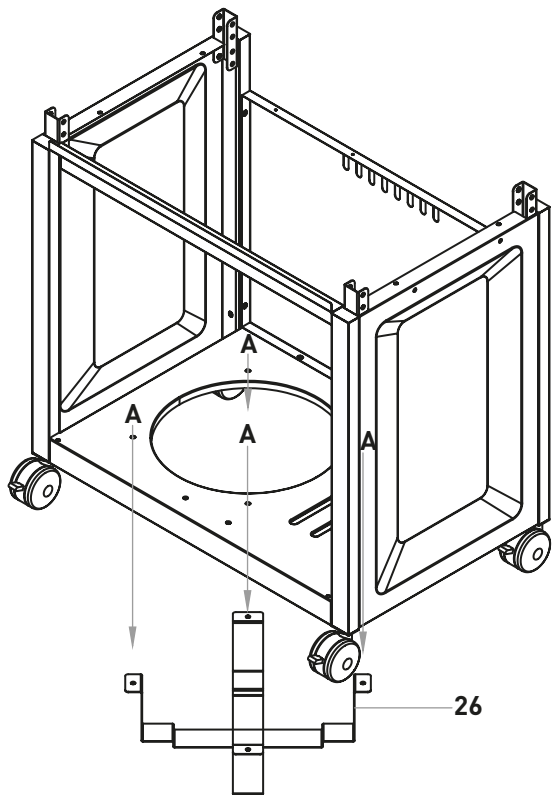
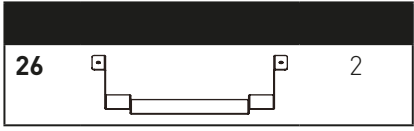
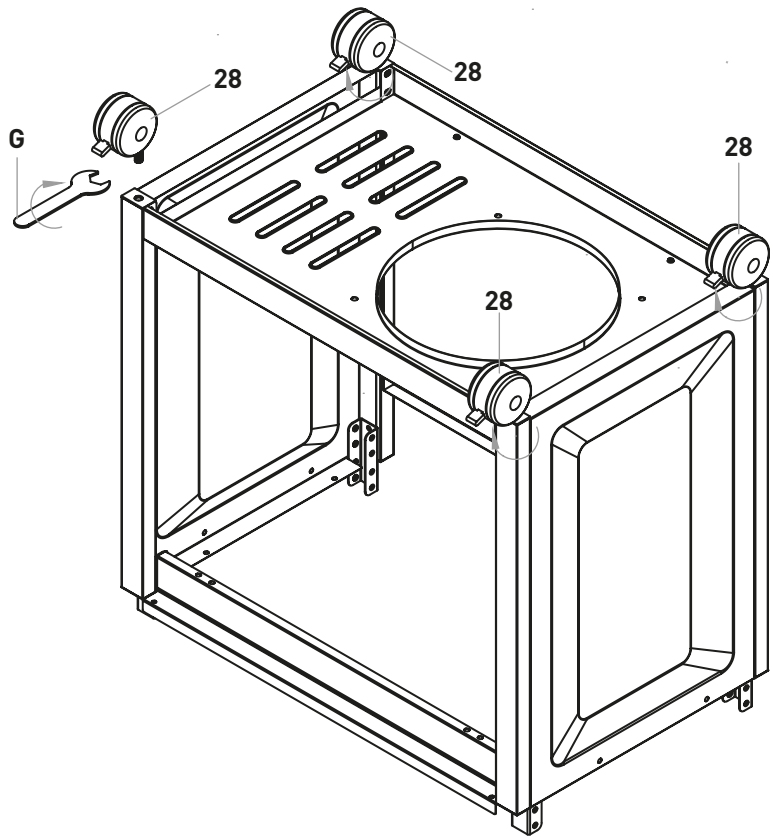
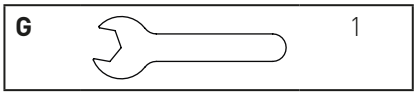
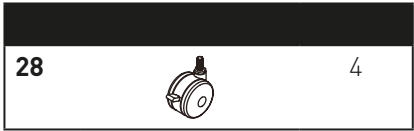
17		1
27		1
A	 M6x12	4

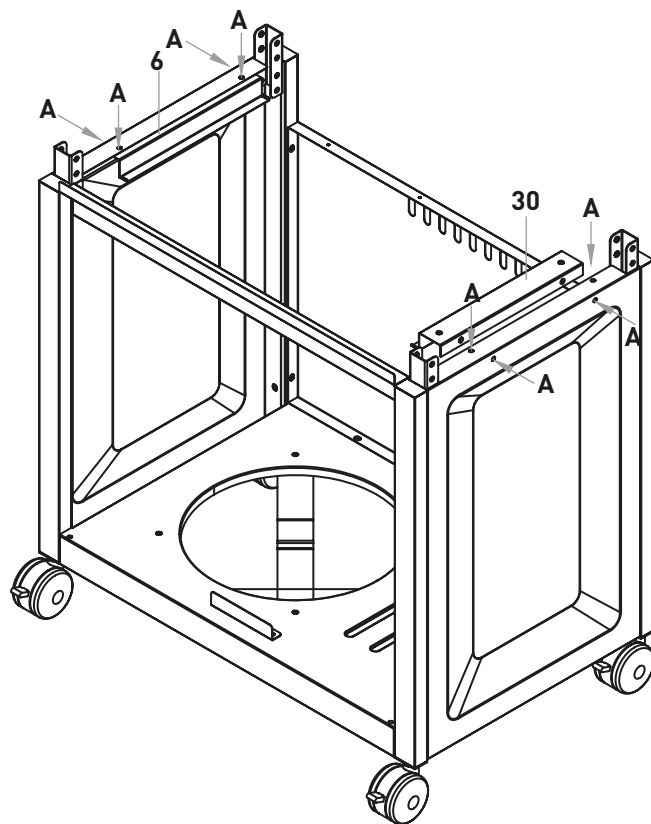
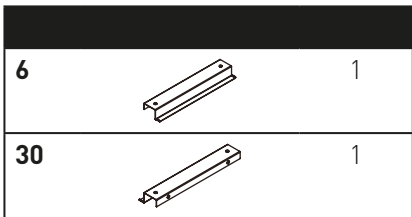
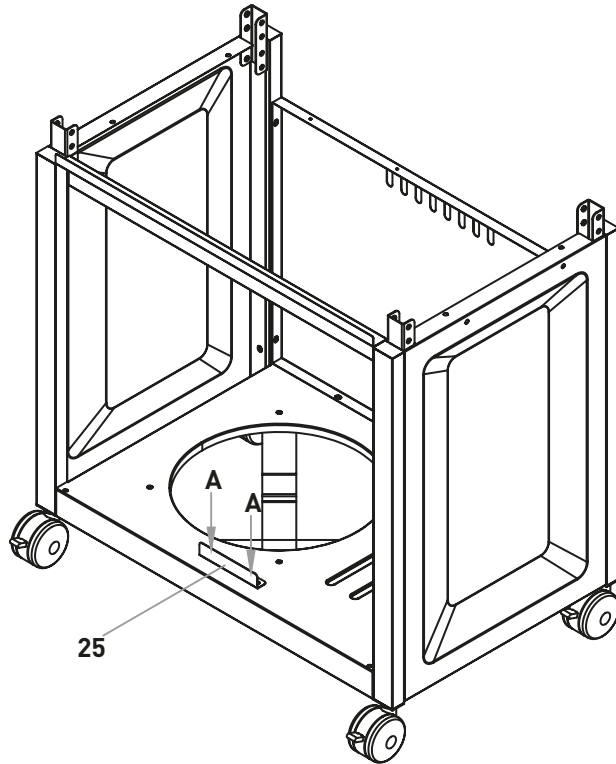
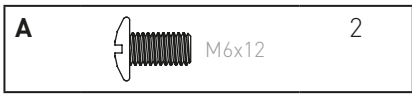
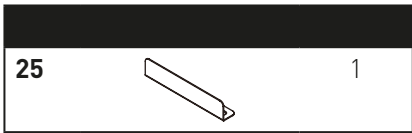


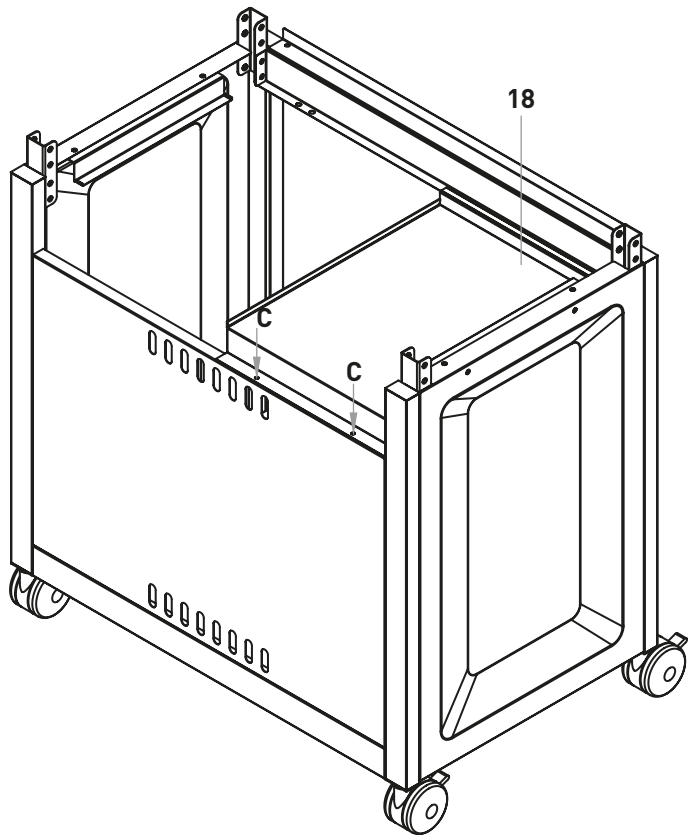
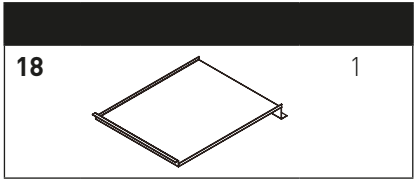
29		1
A	 M6x12	4

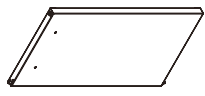
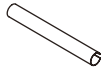
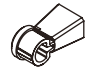

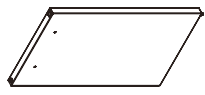

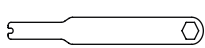


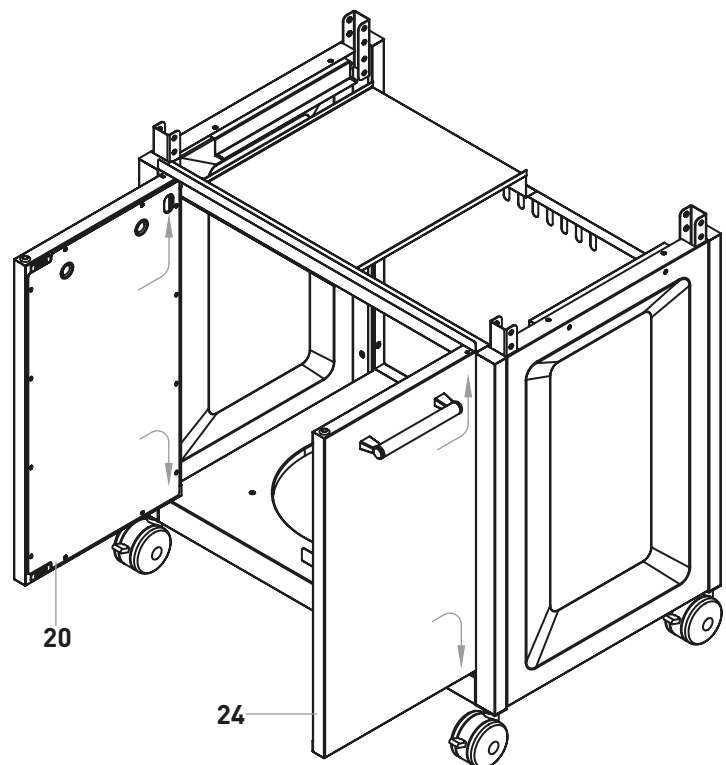
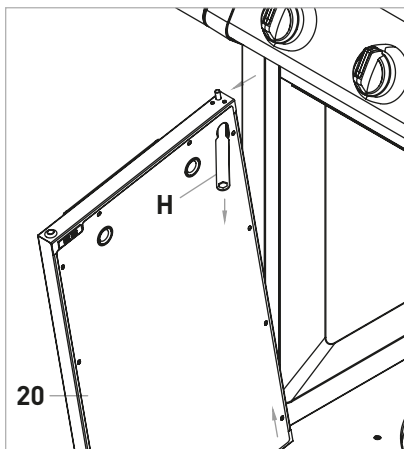
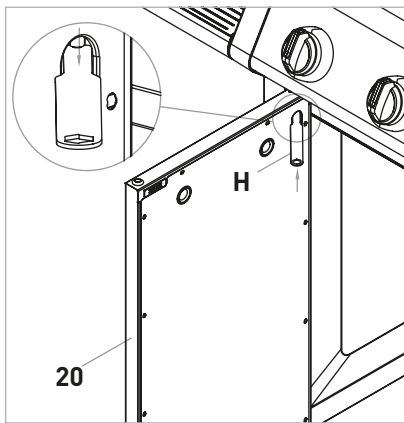
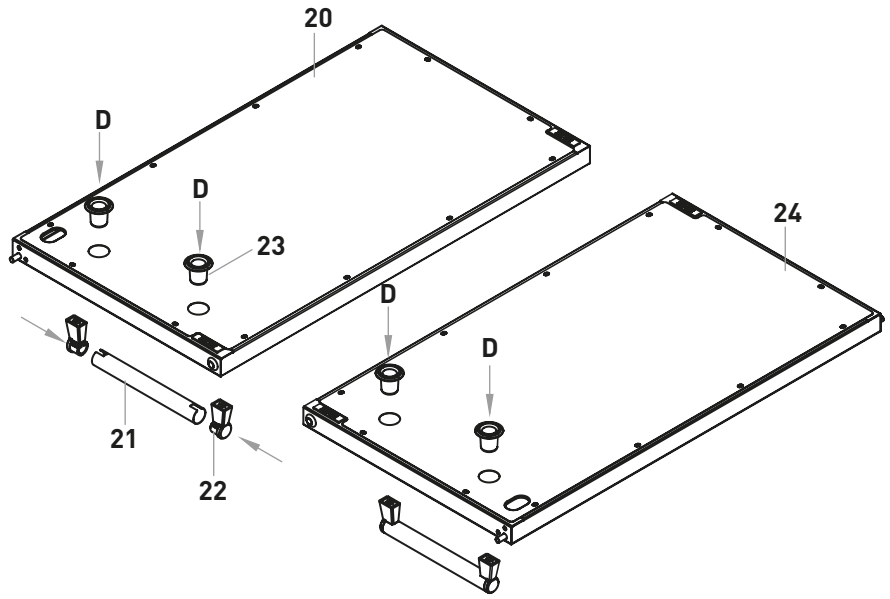


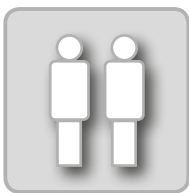


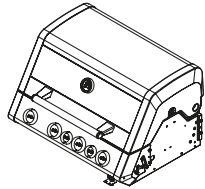


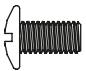


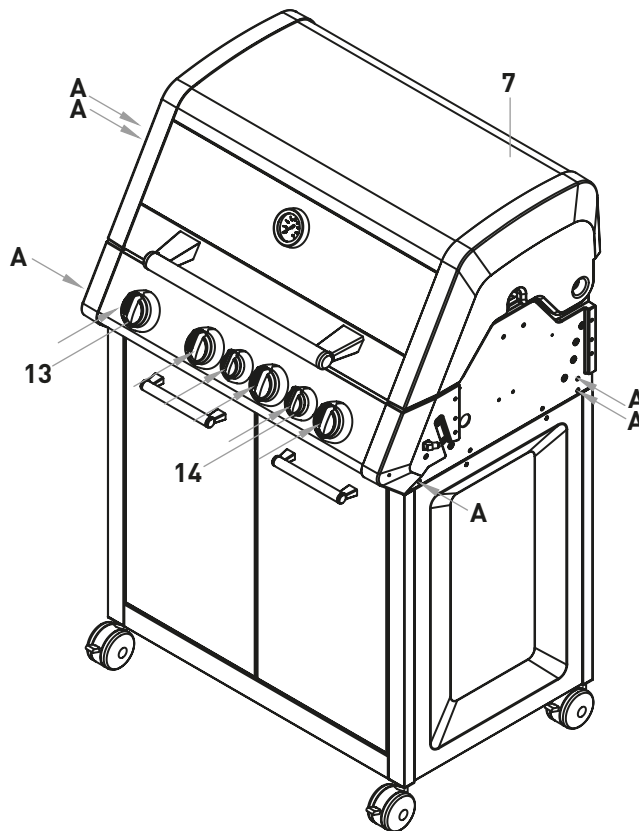
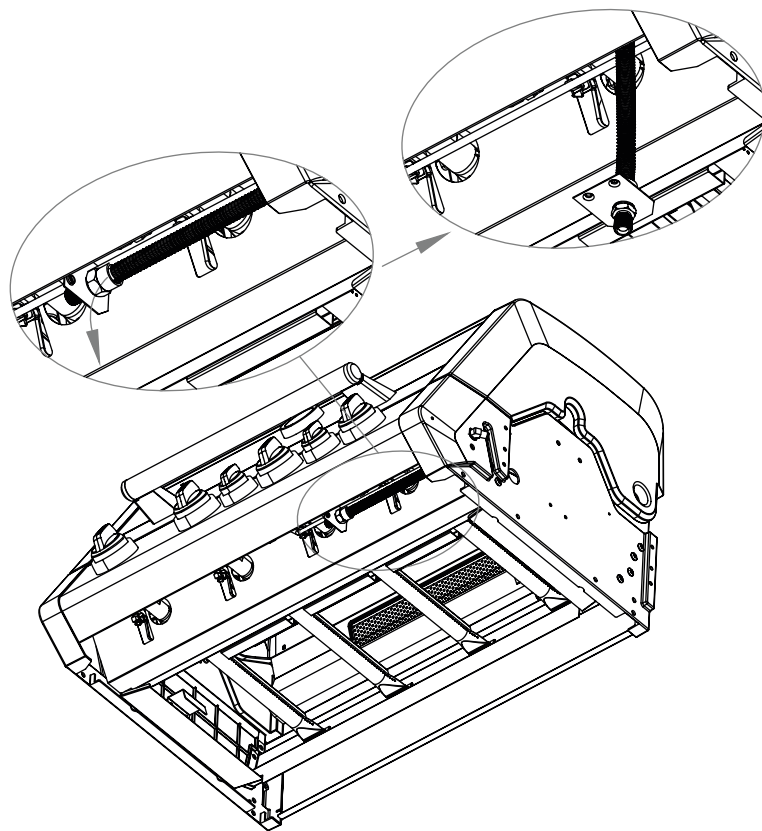


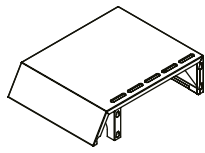
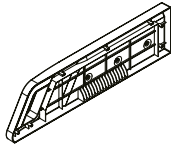

20		1
21		2
22		4
23		4
24		1
D	 ST4x14	4
H		

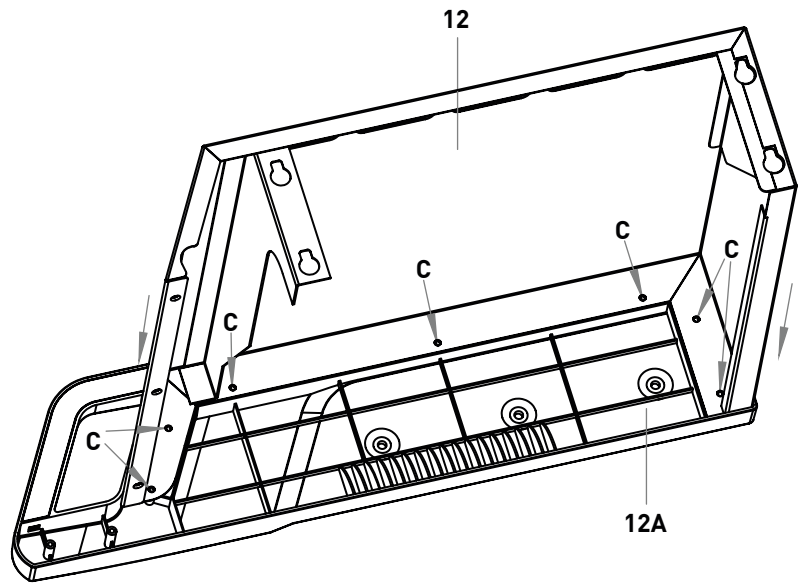


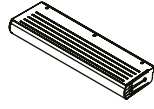




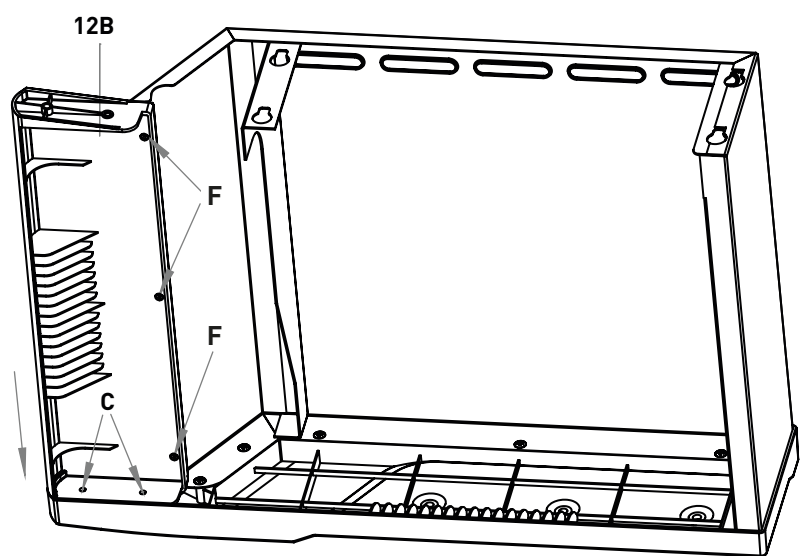
7		1
13		4
14		2
A	 M6x12	6

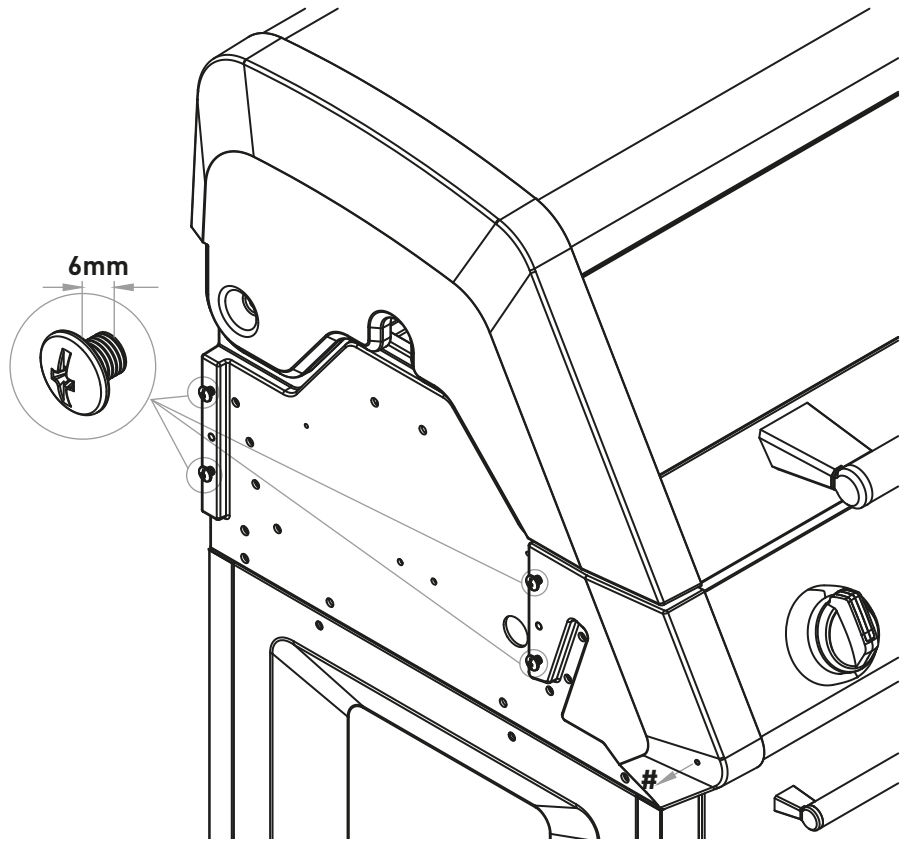


12		1
12A		1
C	 ST4x10	7

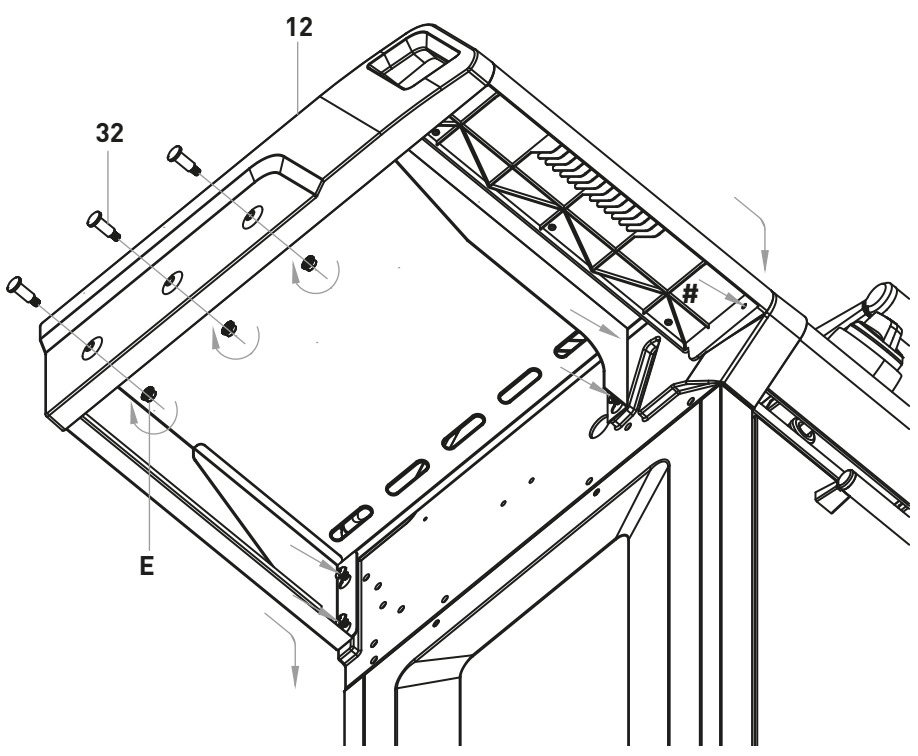


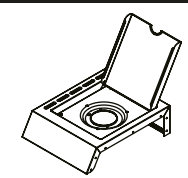
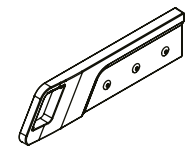

12B		1
F	 M5x10	3
C	 ST4x10	2

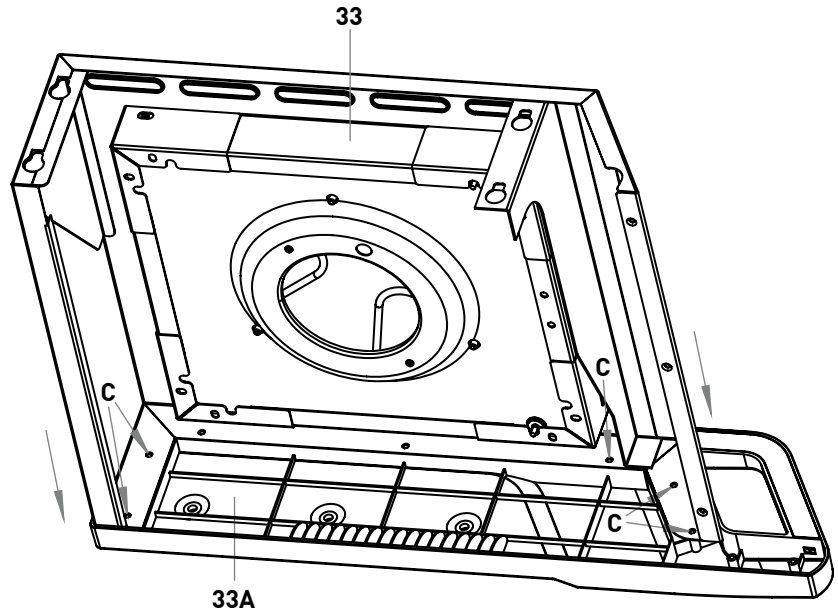


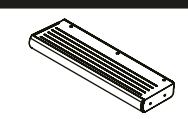
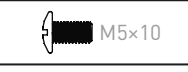



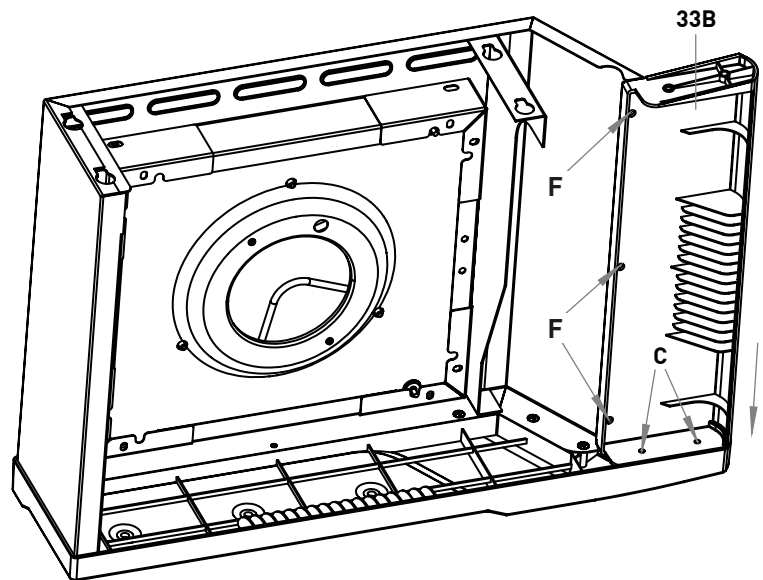
12		1
32		3
E		3

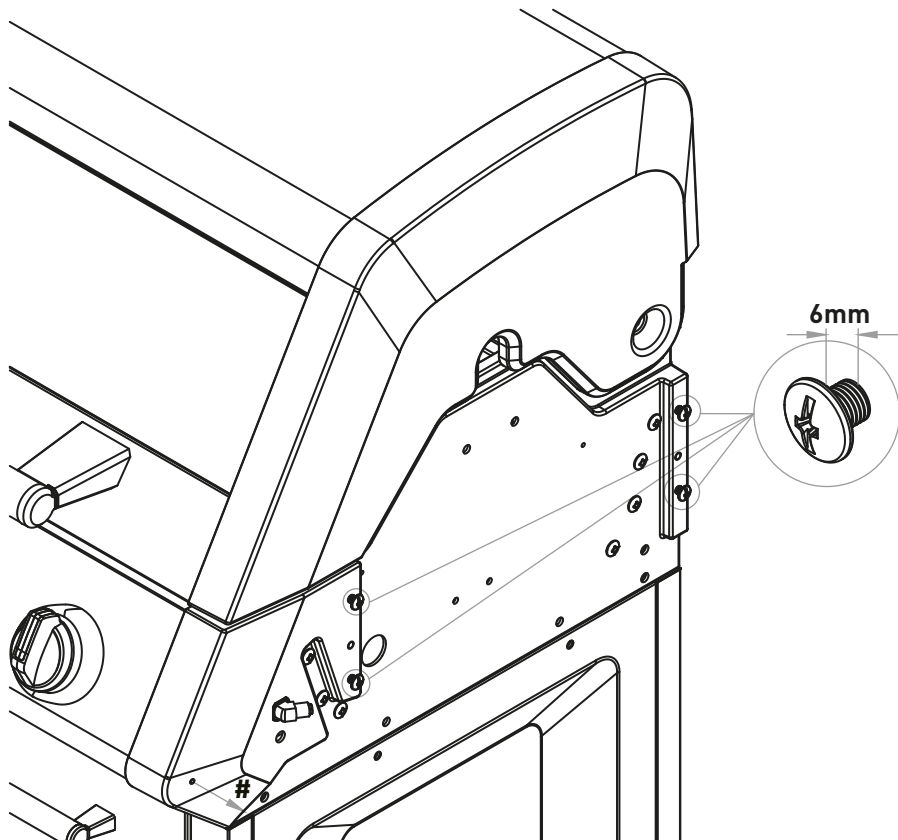



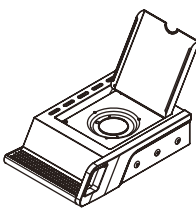

33		1
33A		1
C		5

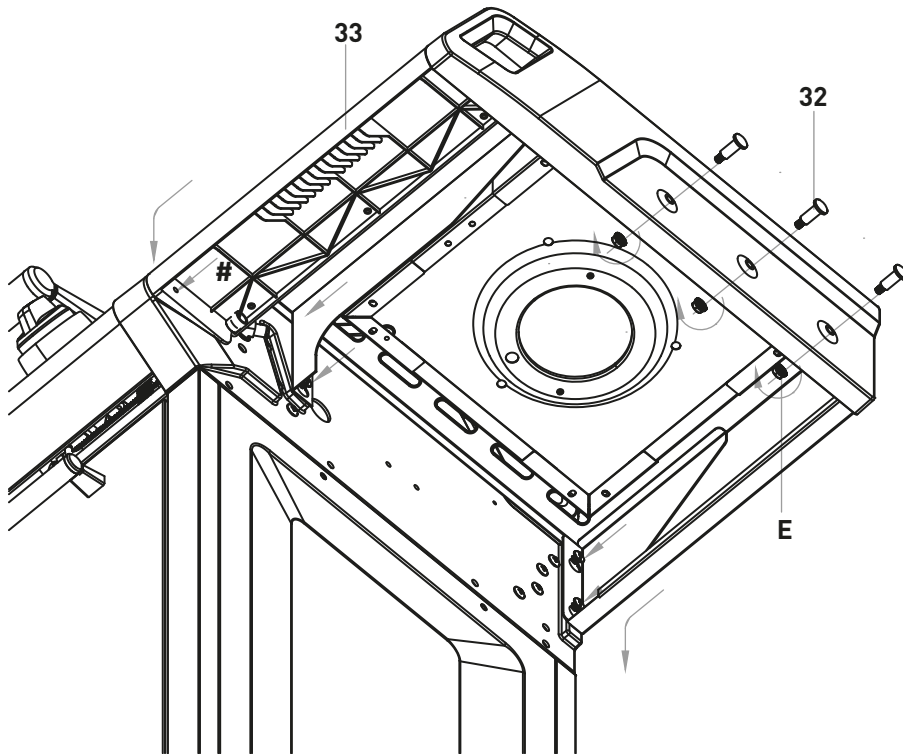


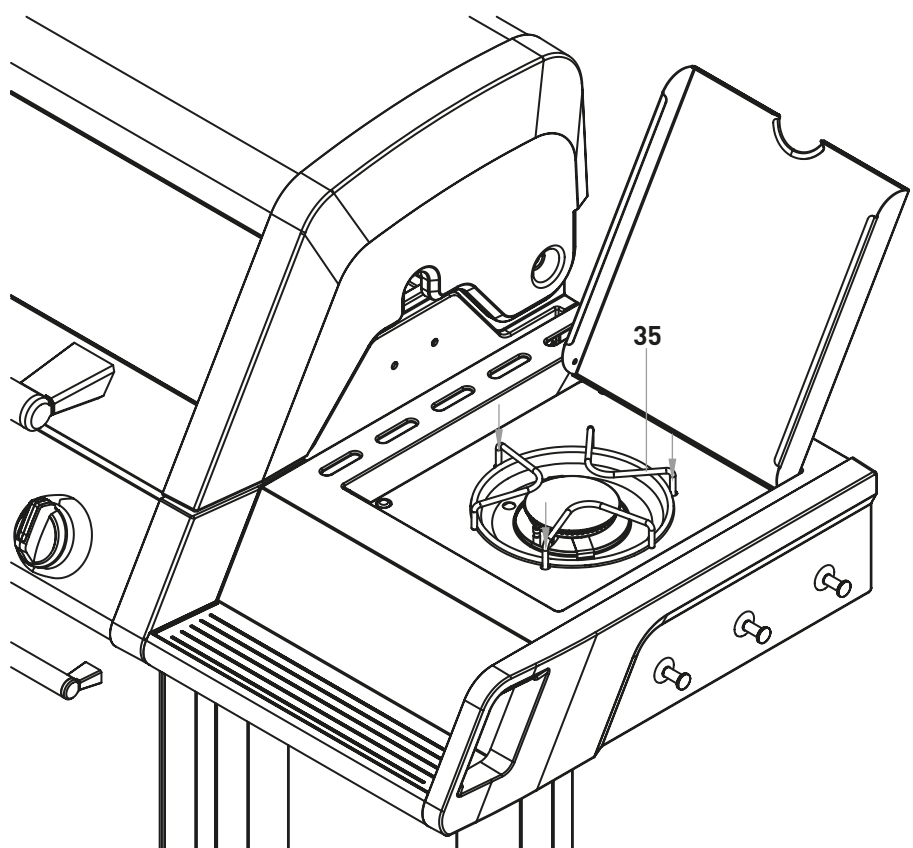
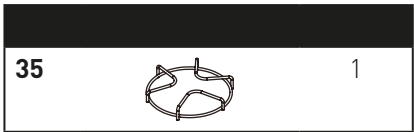
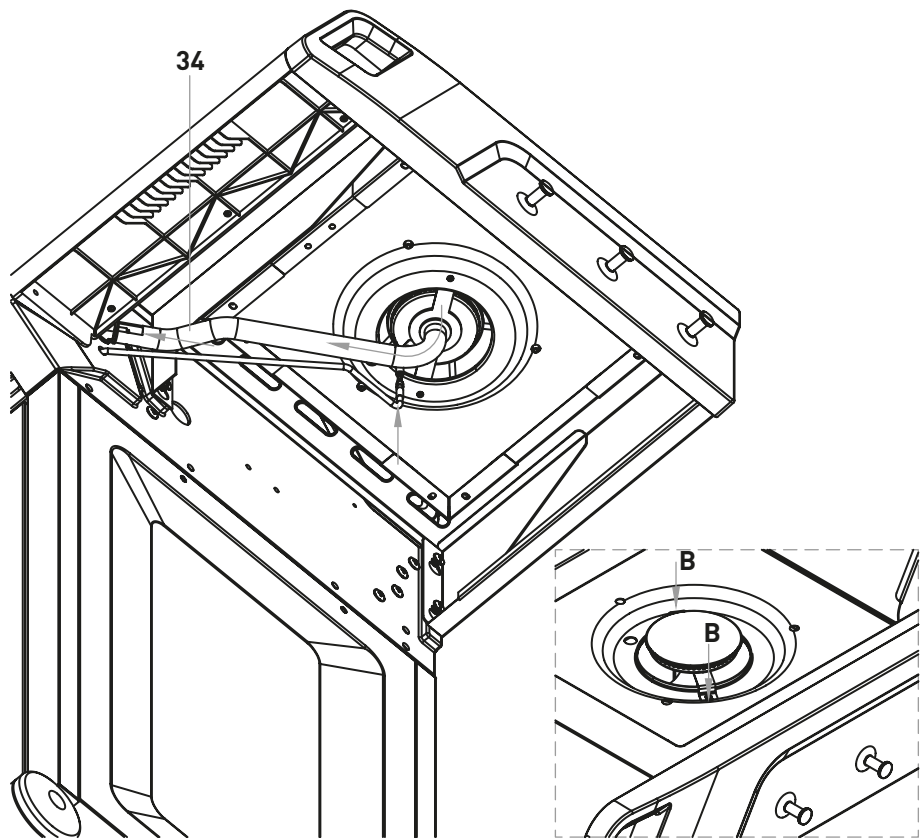
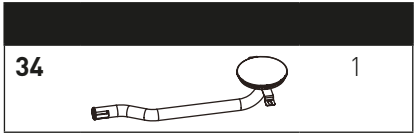
33B		1
F		3
C		2

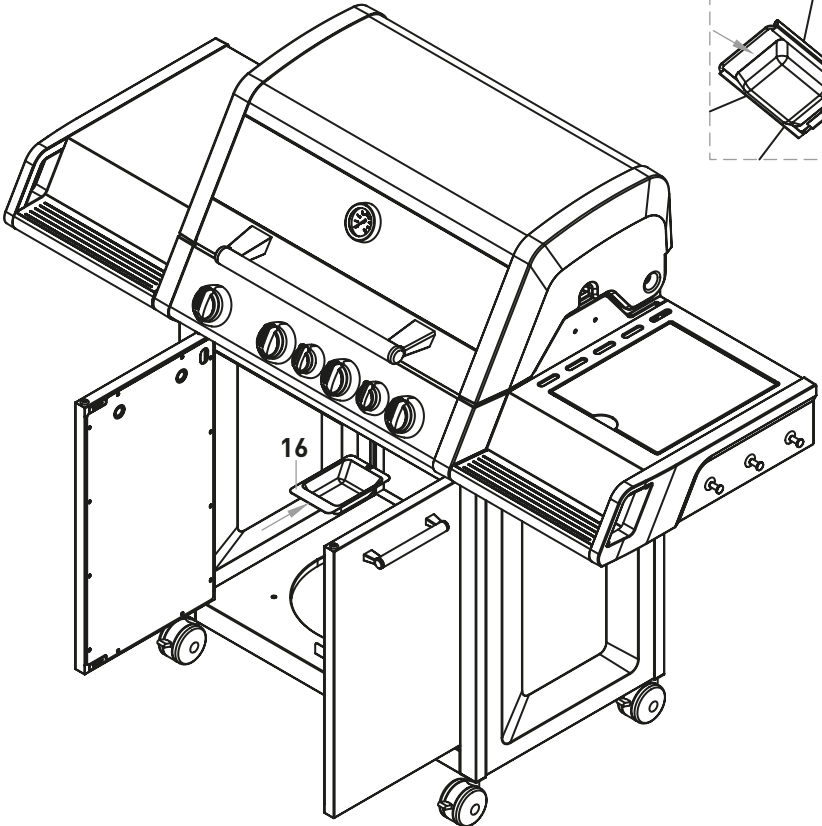
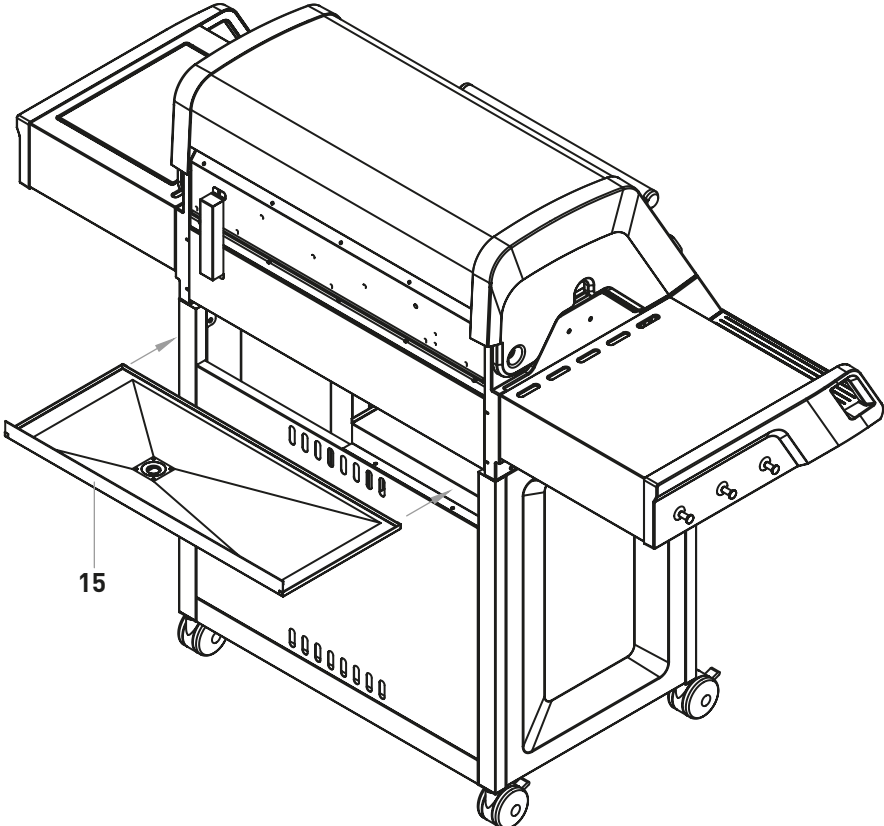
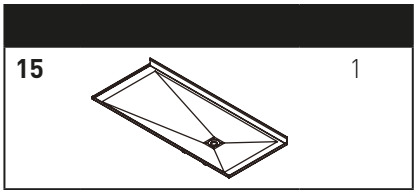


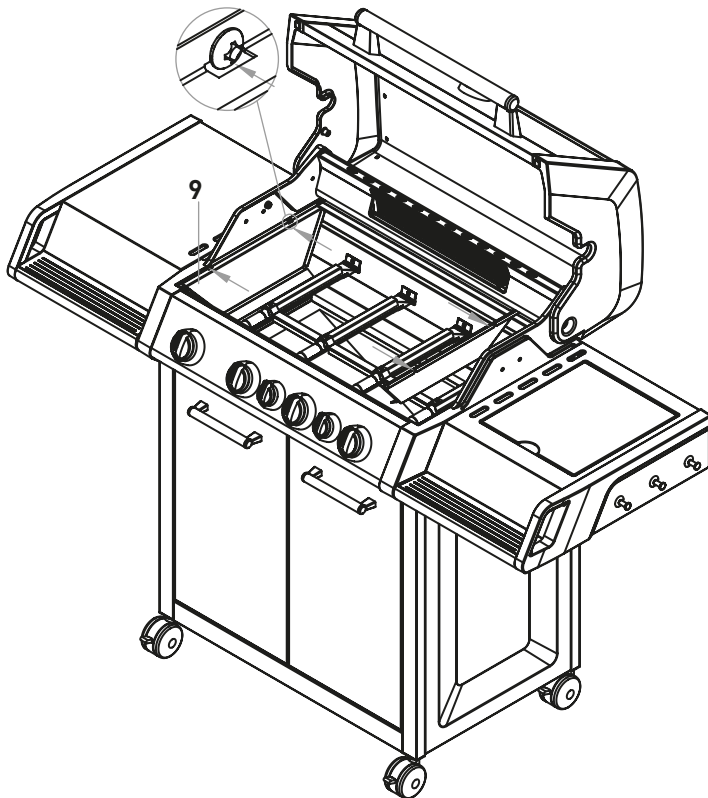
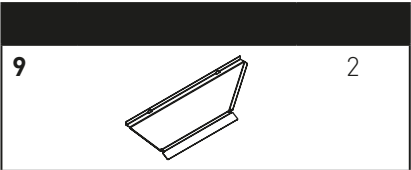
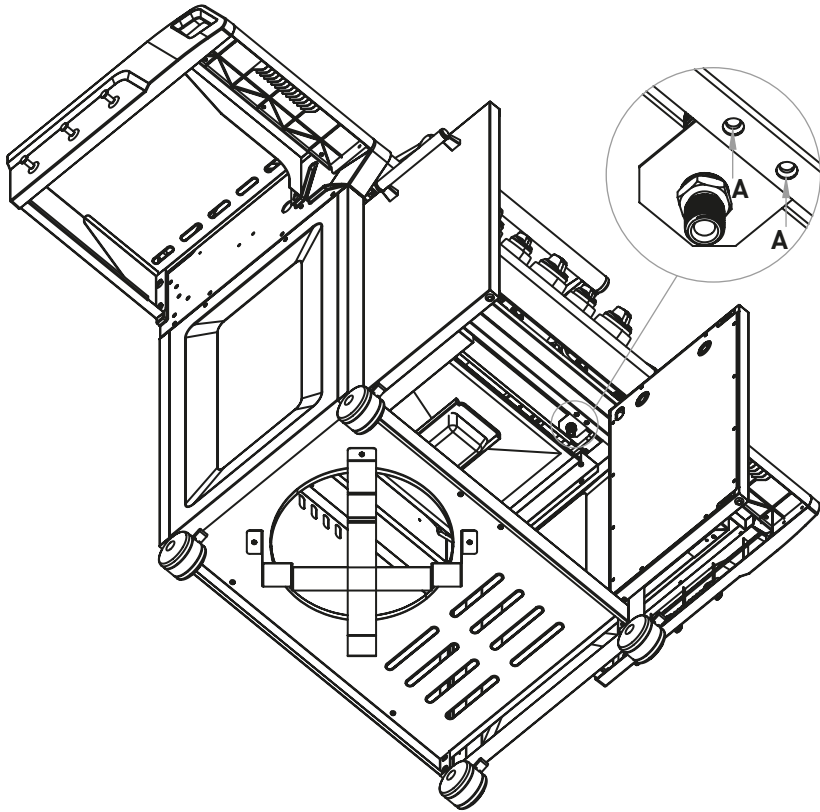


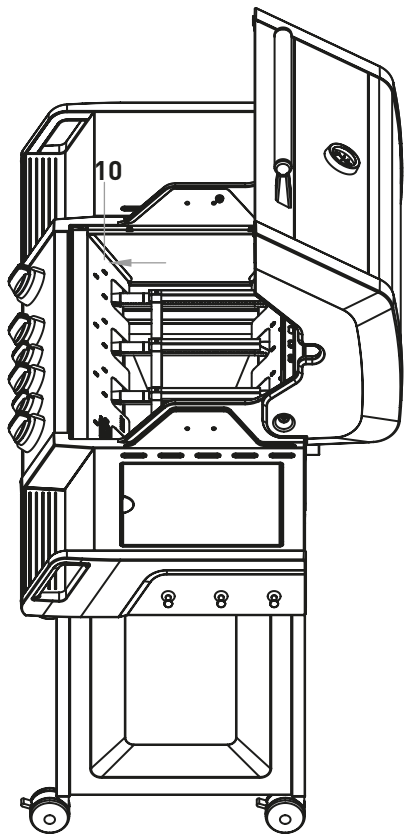
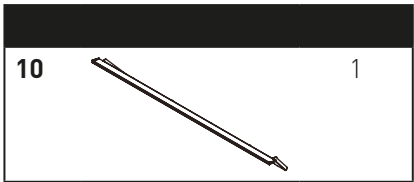
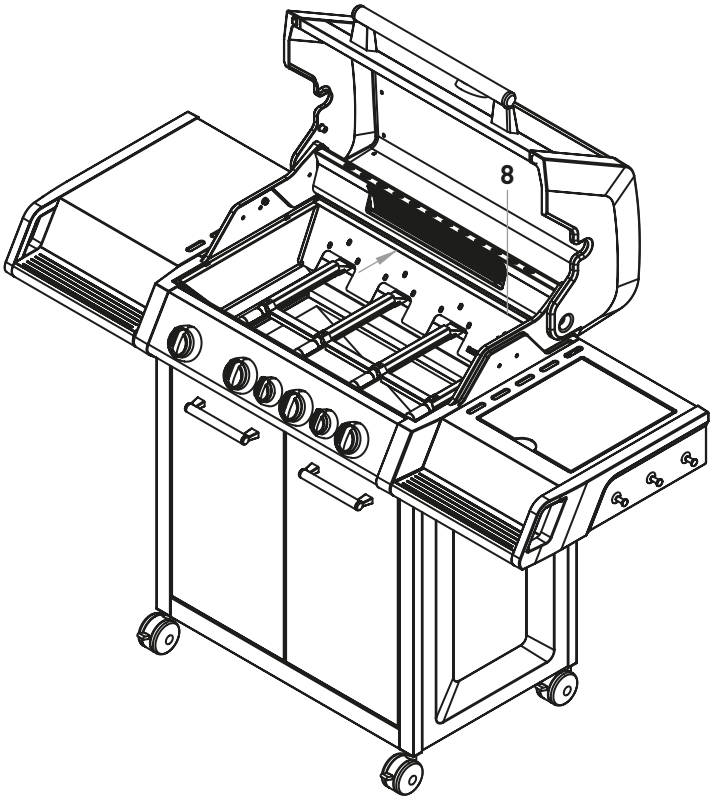
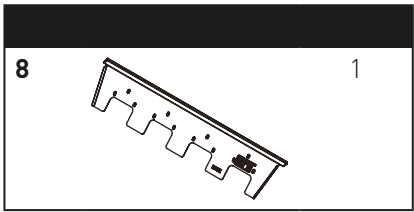
32		3
33		1
E	 M6	3

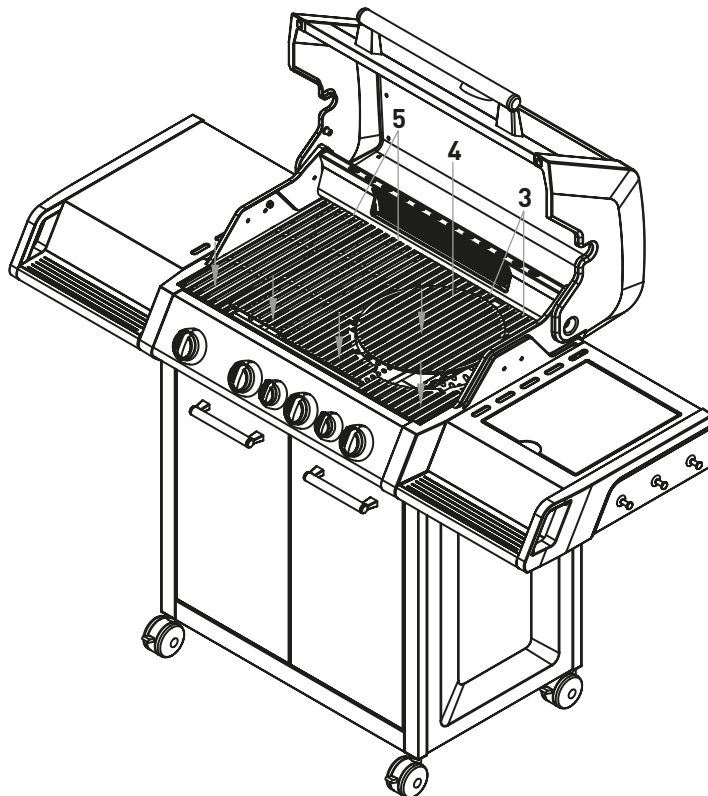
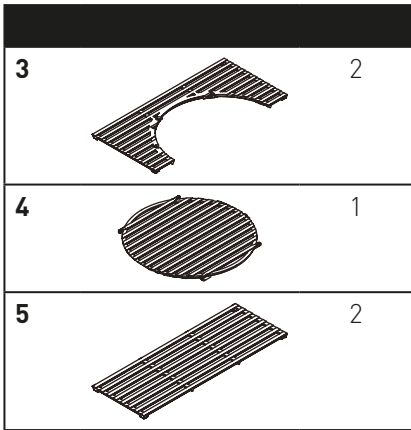
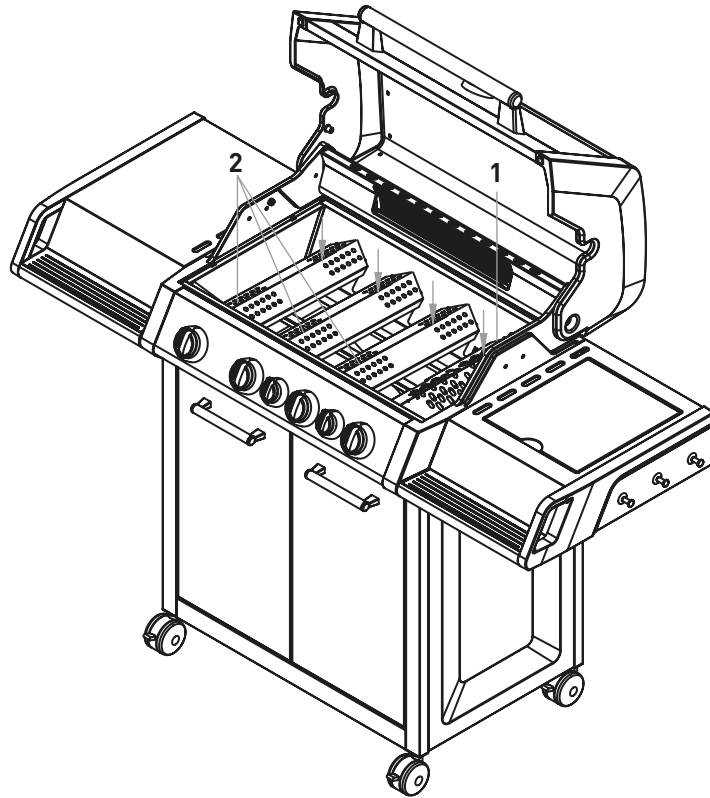
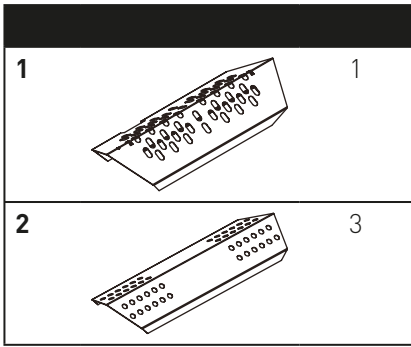


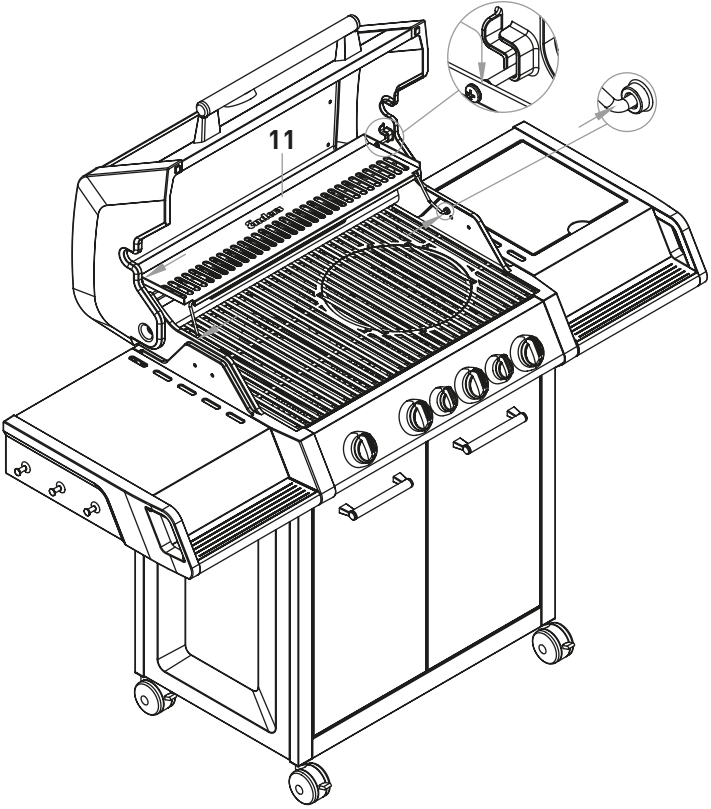
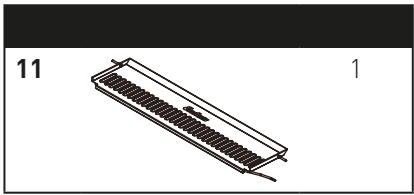


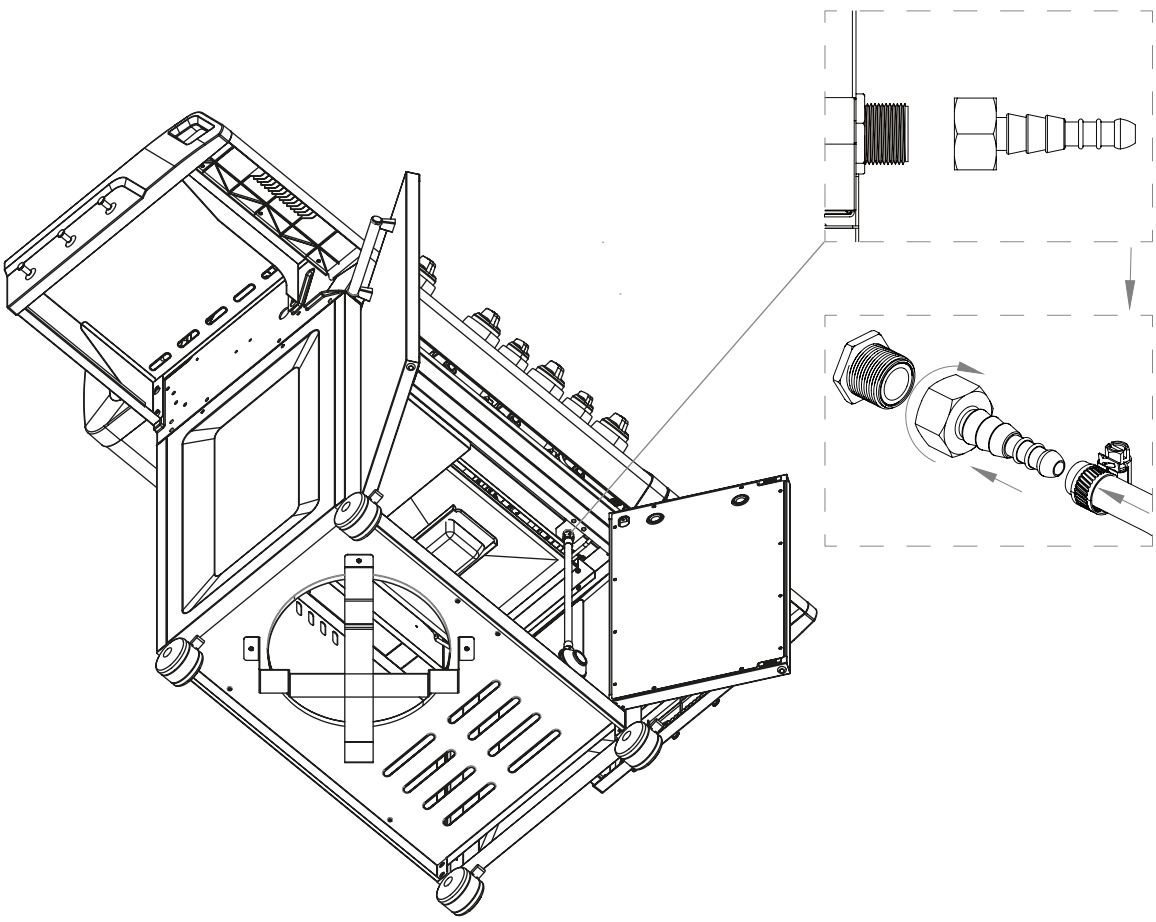
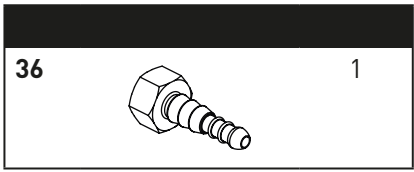


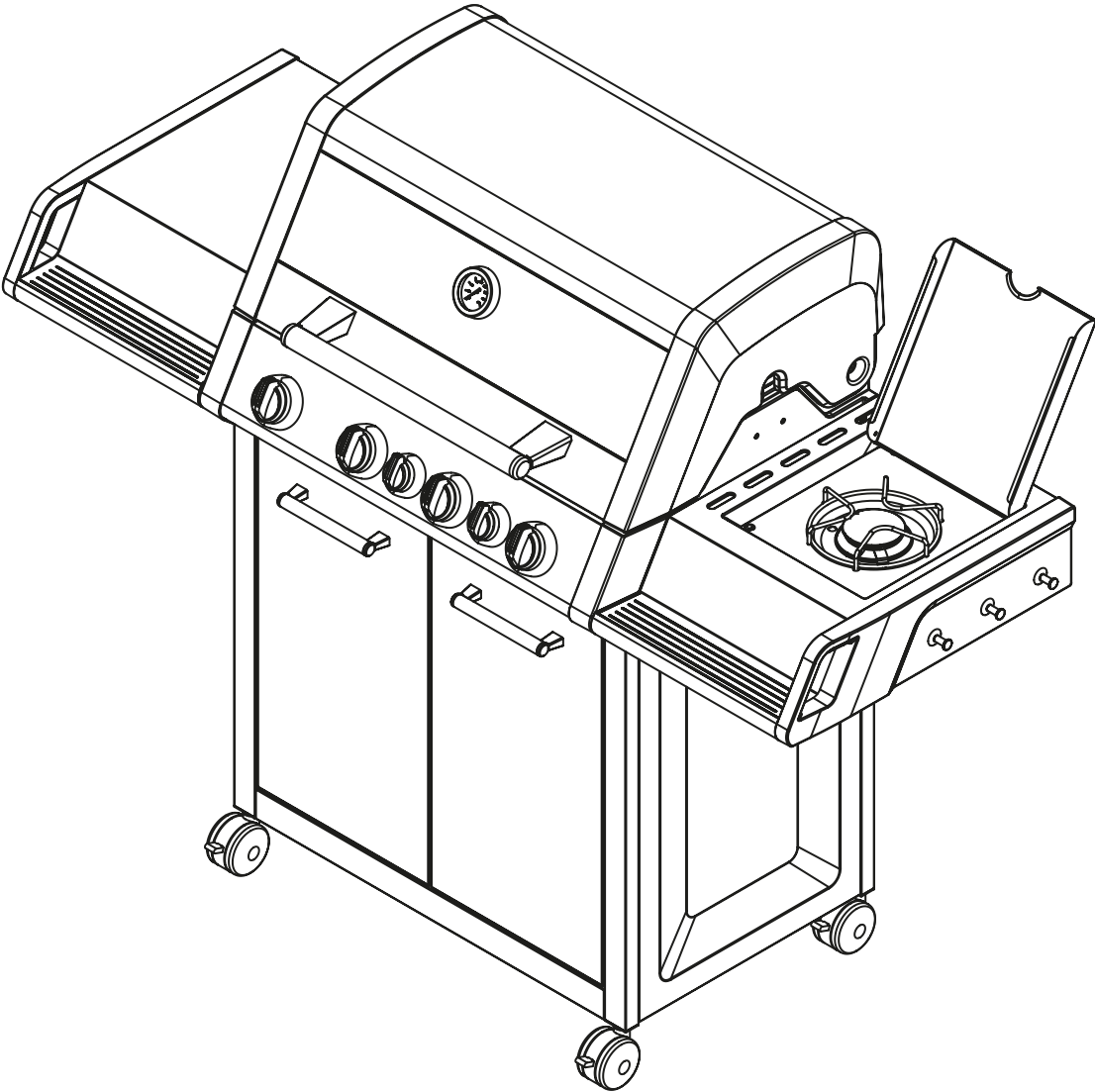














Enders Colsman AG

Brauck 1

D-58791 Werdohl, Deutschland

Tel +49 (0) 2392 - 9782 30

www.enders-germany.com

221111
